



KQ PUMPS





ISO9001 Certified(version 2015)

The 5th Generation **Digital Integrated**  
Frequency Adjustable Water Supply Equipment



- All parameters detection: not only pressure and frequency, but including flow, power parameters and energy efficiency parameters etc.
- Digital control : the double PLC design of control system, it's the true full digital control
- All - frequency integration: Professional tailored backpack pump inverter, combination of mechanical and electrical integration, to create intelligent E pump
- Fully intelligent control: All parameters, all digital, all based on the frequency, for the second device is the realization of intelligent control of a fully functional primary

# Contents

	Company Profile.....	<b>01</b>
	Product Overview.....	<b>03</b>
	Scope of application and model number.....	<b>07</b>
	Product specifications for performance.....	<b>09</b>
	KQG product diagram and performance.....	<b>10</b>
	WFYV product diagram and performance.....	<b>19</b>
	KQGV product diagram and performance.....	<b>28</b>
	WFYV product diagram and performance.....	<b>37</b>
	Product orders and service center.....	<b>47</b>
	Manufacturing capability.....	<b>49</b>
	Major Customers.....	<b>51</b>



## SHANGHAI KAIQUAN GROUP INTRODUCTION

Shanghai Kaiquan pays attention to the combination of service, technology and business to realize value-added services. 300 technical engineers provide customers with a full range of professional solutions. Use the advanced ERP system and CRM system to control the order process. 24 sales branches, more than 400 offices, service network covering the whole country, the implementation of "Blue Fleet" service and 4-hour rapid response mechanism, ready to respond to user needs, to create a reliable industry boutique. Facing the future, Shanghai Kaiquan has formulated a development strategy of "leading the rise of China's pump industry", and is committed to the localization of high-end pump products in nuclear power, large thermal power, petrochemical, military, desalination and other fields, and strives to shape a world-renowned brand. Become an internationally competitive multinational company and enter the top ten in the world pump industry.

Shanghai Kaiquan is a large-scale comprehensive pump group integrating design, production and sales of pumps, water supply equipment and pump control equipment. It is a

leading enterprise in China's pump industry. With total assets of 3.8 billion yuan, it has 7 enterprises and 5 industrial parks in Shanghai, Zhejiang, Hebei, Liaoning, Anhui and other provinces and cities, covering an area of 670,000m<sup>2</sup> and a building area of 350,000m<sup>2</sup>. It has 7 enterprises and 5 industrial parks in Shanghai, Zhejiang, Hebei, Liaoning, Anhui and other provinces and cities.

The group has more than 4,500 employees, including more than 500 engineers and technicians. It is mainly composed of well-known domestic water pump experts, doctoral masters, middle and senior engineers and senior craftsmen. It has formed an echelon-type talent structure with innovative thinking. Shanghai Kaiquan won the "Shanghai Quality Gold Award", "Shanghai Top 100 Technology Enterprises", "Shanghai Famous Brand Products", "China Quality Credit AAA", "National Contract Credit Rating AAA", "Quality, Credit, Honorary services such as "Three Excellent Enterprises", "China's Most Competitive Commodity Trademark" and "Five-Star Service Certification" have been selected into the National Top 500 Machinery for many years.

## Certificates

Secondary water supply equipment energy saving certification

National Construction Industry Science and Technology Achievements Promotion Project

'WFY series booster equipment, KQF series double model water supply equipment' China Green Star Certificate

Approval of Sanitation Permit for Drinking Water Hygiene and Safety Products in Shanghai

Quality Management System Certification ISO 9001:2008

Multiple invention patent certificates



## Product Overview

### Product technology background

The ultimate development direction of secondary water supply equipment is intellectualization, the current variable frequency water supply equipment adopts the traditional relay control + digital control hybrid technology solution, which leads to the following problems:

- **Low digitization**

Since the conventional relay control is still retained, the main switch, indicator light, relay, and traditional instrumentation are still used in a large amount, which makes the number of wires large and difficult to standardize production.

- **Low generalization**

The hybrid control systems of different manufacturers are very different, depending on the special functions of the inverter, the controllers rely on the code masters, and the special black box components, which cannot be unified and standardized, resulting in poor long-term operation and maintainability.

- **Low intelligence**

Usually only the pressure and frequency are detected, only the basic control can be realized. Due to the lack of parameters such as flow, power, energy efficiency and control decisions, the analysis and adaptability of the equipment is greatly reduced, and various intelligent controls cannot be implemented.

In response to the above problems, Kaiquan developed the fifth-generation dual-PLC digital integrated full-frequency water supply equipment with 20 years of engineering experience and innovative technology in the water supply industry. This product not only completely solved the above problems, but also realized for the first time: full parameter detection, all digital control, full frequency conversion integration, full intelligent control.

## Product advantages

### High reliability

Reliability design (long life), the core component design life is three times that of conventional products, and the powerful grid adaptability. When the grid voltage fluctuates, the inverter automatically keeps the output voltage constant. IP55 control cabinet, IP55 converter, PCBA Thick coating, better dust and moisture resistance, Dual PLC redundancy technology, the control system is spare for each other, safe and reliable

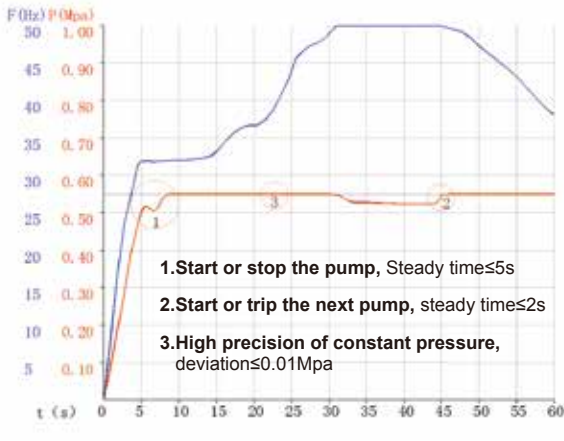


**Powerful grid adaptability**

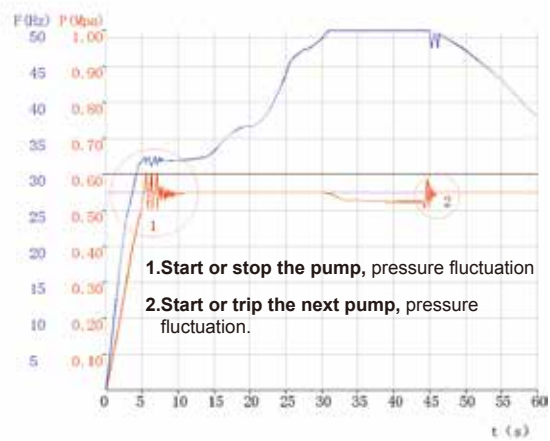


# High performance

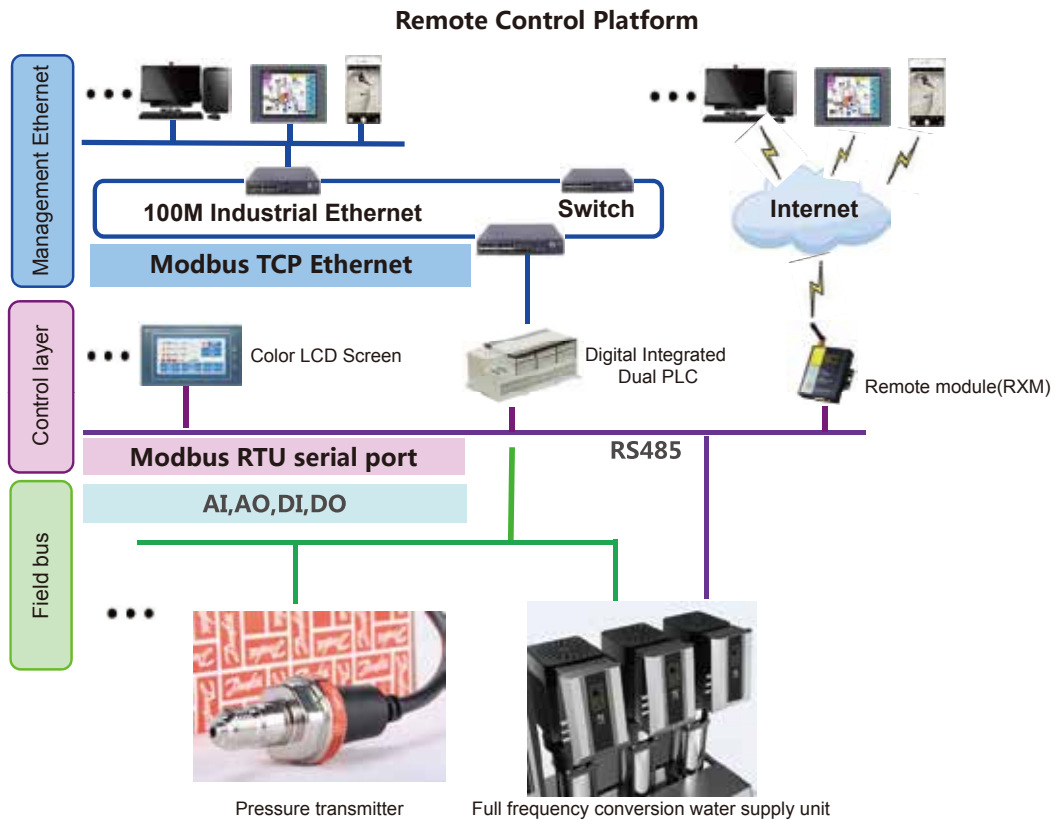
Full frequency conversion + high performance digital PID, stable water supply pressure and good comfort  
 Intelligent control strategies such as pressure + flow, power and other big data collection, minimum energy consumption  
 Digital + early warning, alarm mechanism, expert remote diagnosis  
 Cloud + water supply, intelligent monitoring, realize zero-distance inspection of pump room



Digital full frequency conversion performance curs



General single frequency Conversion performance curves



## High energy-efficient

### Pump and motor configuration

Energy certification(CQC) for all pumps IE3 motor

### Variable flow pressure technology

Small and middle flow, Energy Saving 3-5%

### Full inverter control technology

Designation flow, energy saving 3-5%

### Energy saving technology patent

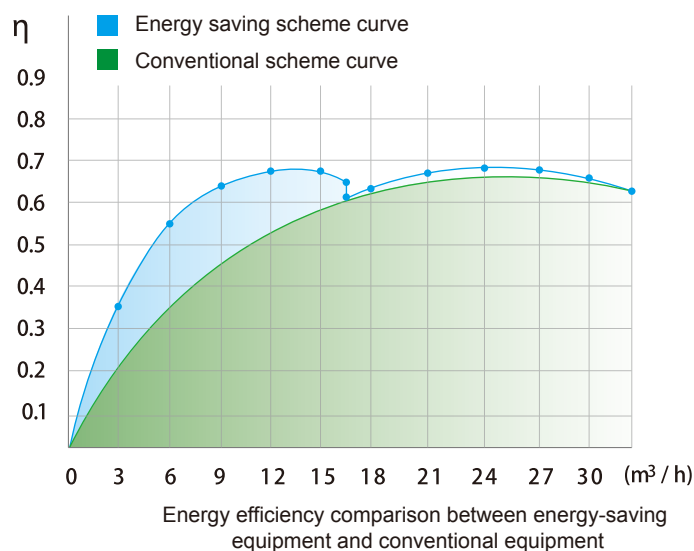
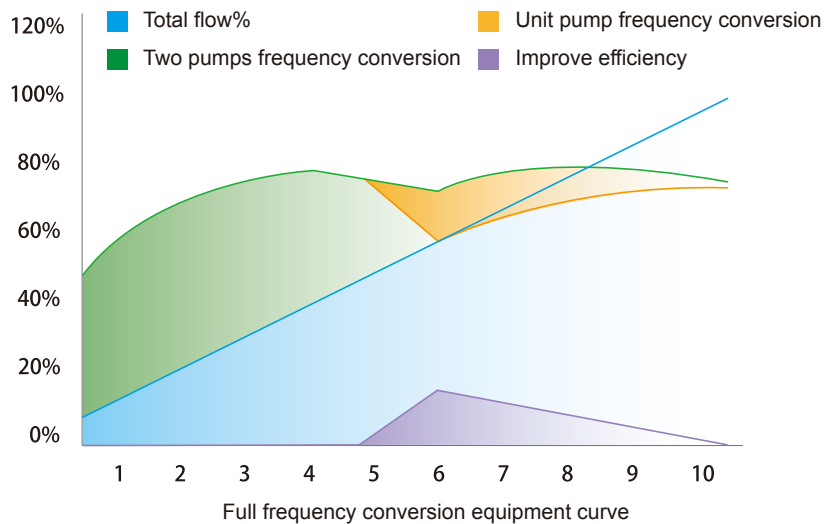
Average energy savings get to 20%

### Expansion tank

Micro flow, Energy Saving 3-5%

### Increased inlet and outlet pipe diameter

Large flow, energy saving 3-5%





## High quality

### Cabinet advanced design

Structural design using the German Rittal standard  
Overall spraying process  
Improve the corrosion resistance and high temperature resistance

### Nuclear welding process level

Product is assessed by nuclear power welding process



Stainless Steel impeller and difusser

### Total quality control

ISO 9001 Quality Management System Certification  
Total quality management  
Advanced product quality planning (APQP)  
Failure mode and effect analysis (FMEA)

### Corrosion resistant epoxy coating

The inner wall coating is hygienic and environmentally friendly, with uniform thickness



## Scope of application

Water for live: high-rise building, residential area, villa, etc.  
Public places: hospitals, schools, stadiums, airports, etc.  
Commercial buildings: hotels, office buildings, department stores, etc.

## Operating elements

### Auto start and stop

When the water increases and the equipment outlet pressure drops to the starting pressure, the equipment start and the intelligent constant pressure runs. Expansion tank guarantees pressure at small flow rates.

### Auto speed regulation

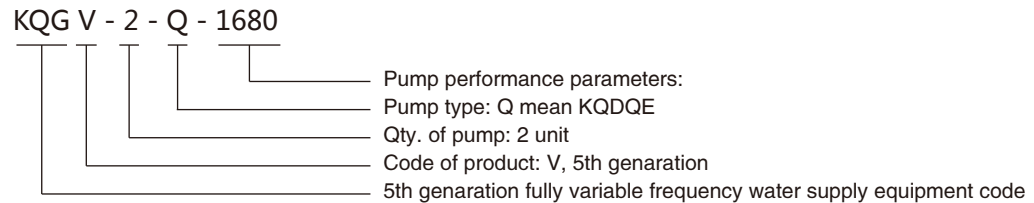
According to the change of water consumption, the speed of the unit is adjusted intelligently. Automatically increase speed when water consumption increases, automatically reduce speed when water consumption is reduced, dynamically adjust to ensure terminal pressure.

### Intelligent control

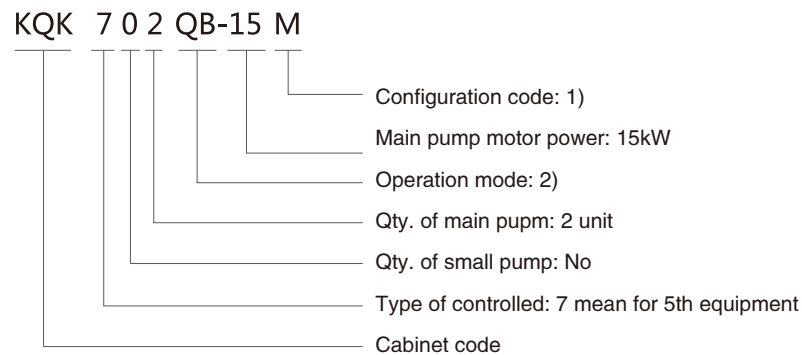
The device has the ability to sense big data such as pressure, flow, and power, the lowest power control technology to intelligently control the operation of the pump.

## Scope of application

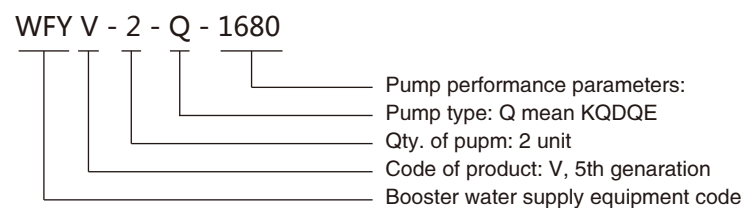
### KQGV series equipment model meaning example:



### Cabinet model meaning example:



### WFYV series equipment model meaning example:



- 1) Control cabinet configuration  
M-standard, PLC,converter and LV electrical components used top china brand.
- 2) Operation type  
QB-Full frequency conversion(every pump have a converter),all pumps run alternately and alternated

mark: This product can be extended to KQF series non-negative pressure water supply equipment, please contact us for details.

## Product specifications and performance

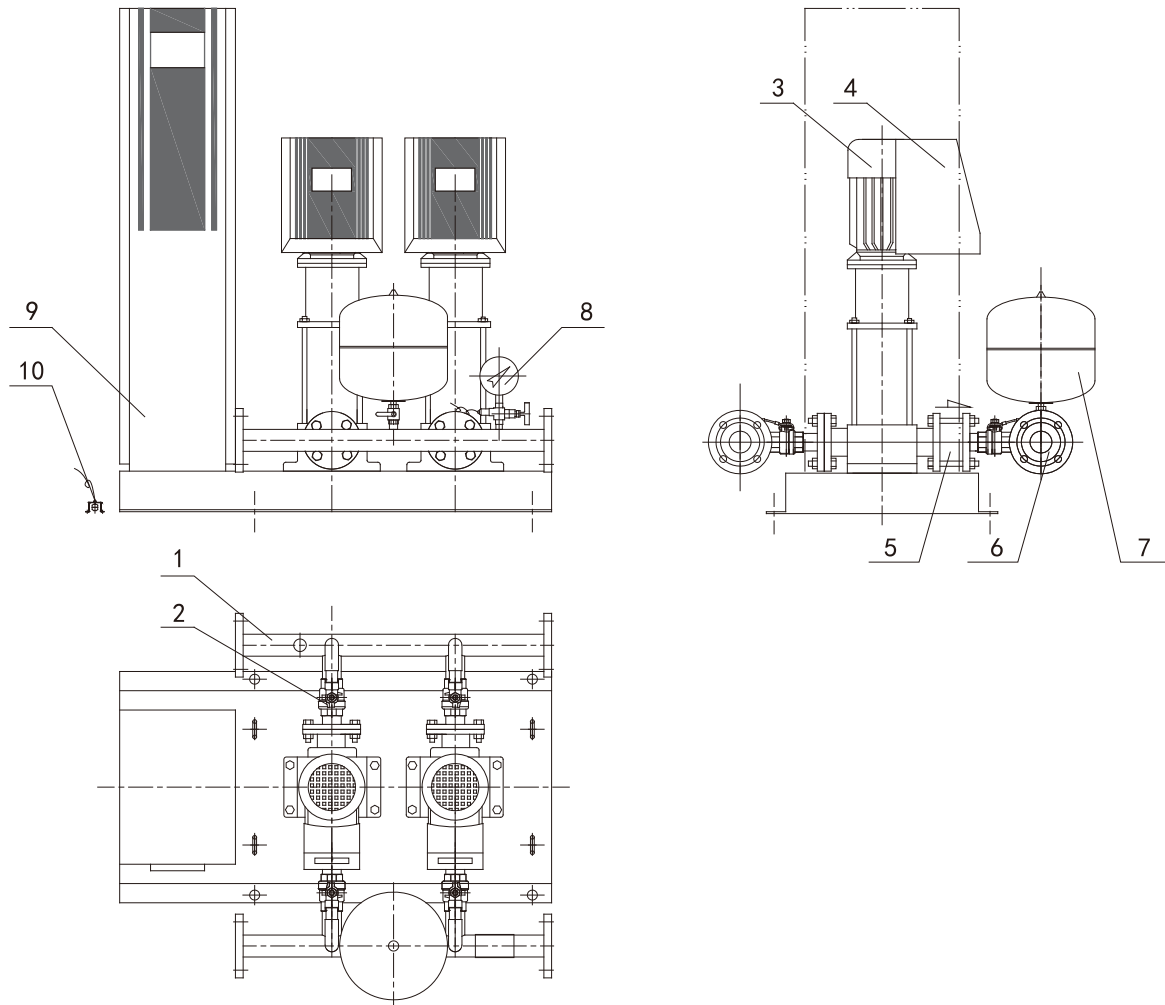
### Standard product datasheet

Description		KQGV standard series
Flow		5-160m <sup>3</sup> /h, by pump.
Head		20-160m, by pump.
Range		40%-100% head (Full frequency conversion control)
Accuracy		≤1mH <sub>2</sub> O
Steady time		≤5s
Operation method		Master and standby mode (both modes have manual and auto modes)
Start method		Frequency conversion soft start
Control method		Equipment outlet constant pressure or automatic variable pressure control (Analog end constant voltage control)
Running method		QB (Full frequency conversion operation)
UI		Digital instruments, color touch screen
Protection/alarm		Short circuit, overload, phase loss protection, indicator alarm and inverter self-protection
Troubleshooting		Pumps and systems all alternated
Material		Over flow parts material SS304
Protection grade		Motor IP55, cabinet IP55, convertor IP55
Site and utility data	Installation conditions	Loadable concrete base
	Power supply	380V (+10%, -15%), 50Hz, ground wire≤4Ω
	Environment	Indoor, 0 C -40°C, no corrosion, no flammable or explosive gases
	Relative humidity	≤90% (20°C), no condensation
	Elevation & vibration	≤1000m, ≤5.9m/s(0.6g)

## Technical performance and function

Products with clear dimensions in the pump sample are standard, KQGV, WFYV series meet datasheet.

## KQGV diagram and main parts



Main parts name			
Item	Inlet manifold	Item	Title
1	Inlet manifold	6	Outlet manifold
2	Ball valve	7	Expansion Tank(diagram is 12L)
3	Vertical multistage pump	8	pressure sensor(or electric contact pressure gauge)
4	Digital integrated frequency converter	9	control cabinet
5	Check valve	10	leakage sensor

**5th generation Frequency conversion water supply equipment KQGV performance table(2BZ)**

Item	Type	Vertical multistage pump			Parameters								
		Pump type	Qty.	Unit power (kW)	Inlet DN	Outlet DN	Capacity (m <sup>3</sup> /h)	3	4	5	6	7	
1	KQGV	KQDQE	32-5-50	2	1.5	50	50	Head (m)	54	53	50	47	43
2	KQGV	KQDQE	32-5-58	2	1.5	50	50		63	61	58	55	51
3	KQGV	KQDQE	32-5-66	2	2.2	50	50		72	69	66	62	57
4	KQGV	KQDQE	32-5-73	2	2.2	50	50		80	77	73	69	63
5	KQGV	KQDQE	32-5-81	2	2.2	50	50		88	85	81	76	70
6	KQGV	KQDQE	32-5-88	2	2.2	50	50		96	92	88	83	77
7	KQGV	KQDQE	32-5-95	2	3	50	50		104	100	95	90	83
8	KQGV	KQDQE	32-5-103	2	3	50	50		112	108	103	97	90
9	KQGV	KQDQE	32-5-111	2	3	50	50		120	116	111	104	96
10	KQGV	KQDQE	32-5-119	2	3	50	50		128	124	119	112	103
11	KQGV	KQDQE	32-5-127	2	3	50	50		136	132	127	120	110
12	KQGV	KQDQE	32-5-134	2	4	50	50		144	139	134	126	117

Item	Type	Pump type	Qty.	Unit power (kW)	Inlet DN	Outlet DN	Capacity (m <sup>3</sup> /h)	5	7	8	9	10	
13	KQGV	KQDQE	40-8-34	2	1.5	50	50	Head (m)	35	34.5	34	32	31
14	KQGV	KQDQE	40-8-46	2	2.2	50	50		48	47	46	44	42
15	KQGV	KQDQE	40-8-57	2	2.2	50	50		59	58	57	55	53
16	KQGV	KQDQE	40-8-69	2	3	50	50		71	70	69	67	64
17	KQGV	KQDQE	40-8-81	2	3	50	50		83	82	81	78	74
18	KQGV	KQDQE	40-8-93	2	4	50	50		97	95	93	89	85
19	KQGV	KQDQE	40-8-105	2	4	50	50		109	107	105	101	96
20	KQGV	KQDQE	40-8-118	2	5.5	50	50		121	120	118	113	108
21	KQGV	KQDQE	40-8-130	2	5.5	50	50		133	131	130	125	120

Item	Type	Pump type	Qty.	Unit power (kW)	Inlet DN	Outlet DN	Capacity (m <sup>3</sup> /h)	6	8	10	11	12	
22	KQGV	KQDQE	40-10-32	2	1.5	50	50	Head (m)	33	32.5	32	31	29
23	KQGV	KQDQE	40-10-43	2	2.2	50	50		45	44	43	42	41
24	KQGV	KQDQE	40-10-54	2	2.2	50	50		57	56	54	52	50
25	KQGV	KQDQE	40-10-65	2	3	50	50		71	68	65	62	58
26	KQGV	KQDQE	40-10-76	2	4	50	50		82	79	76	72	67
27	KQGV	KQDQE	40-10-87	2	4	50	50		96	92	87	83	79
28	KQGV	KQDQE	40-10-98	2	4	50	50		108	103	98	93	88
29	KQGV	KQDQE	40-10-110	2	5.5	50	50		120	115	110	105	100
30	KQGV	KQDQE	40-10-122	2	5.5	50	50		132	127	122	116	110
31	KQGV	KQDQE	40-10-133	2	5.5	50	50		144	139	133	127	120

Item	Type	Pump type	Qty.	Unit power (kW)	Inlet DN	Outlet DN	Capacity (m <sup>3</sup> /h)	7	9	12	14	15	
32	KQGV	KQDQE	50-12-25	2	1.5	80	80	Head (m)	28	27	25	23	21
33	KQGV	KQDQE	50-12-39	2	2.2	80	80		43	42	39	35	32
34	KQGV	KQDQE	50-12-53	2	3	80	80		59	57	53	48	44
35	KQGV	KQDQE	50-12-67	2	4	80	80		74	72	67	61	57
36	KQGV	KQDQE	50-12-80	2	5.5	80	80		89	87	80	74	68
37	KQGV	KQDQE	50-12-94	2	5.5	80	80		104	102	94	86	80
38	KQGV	KQDQE	50-12-107	2	7.5	80	80		119	117	107	98	92
39	KQGV	KQDQE	50-12-121	2	7.5	80	80		133	130	121	110	104
40	KQGV	KQDQE	50-12-136	2	7.5	80	80		149	146	136	123	115

5th generation Frequency conversion water supply equipment KQGV performance table(2BZ)

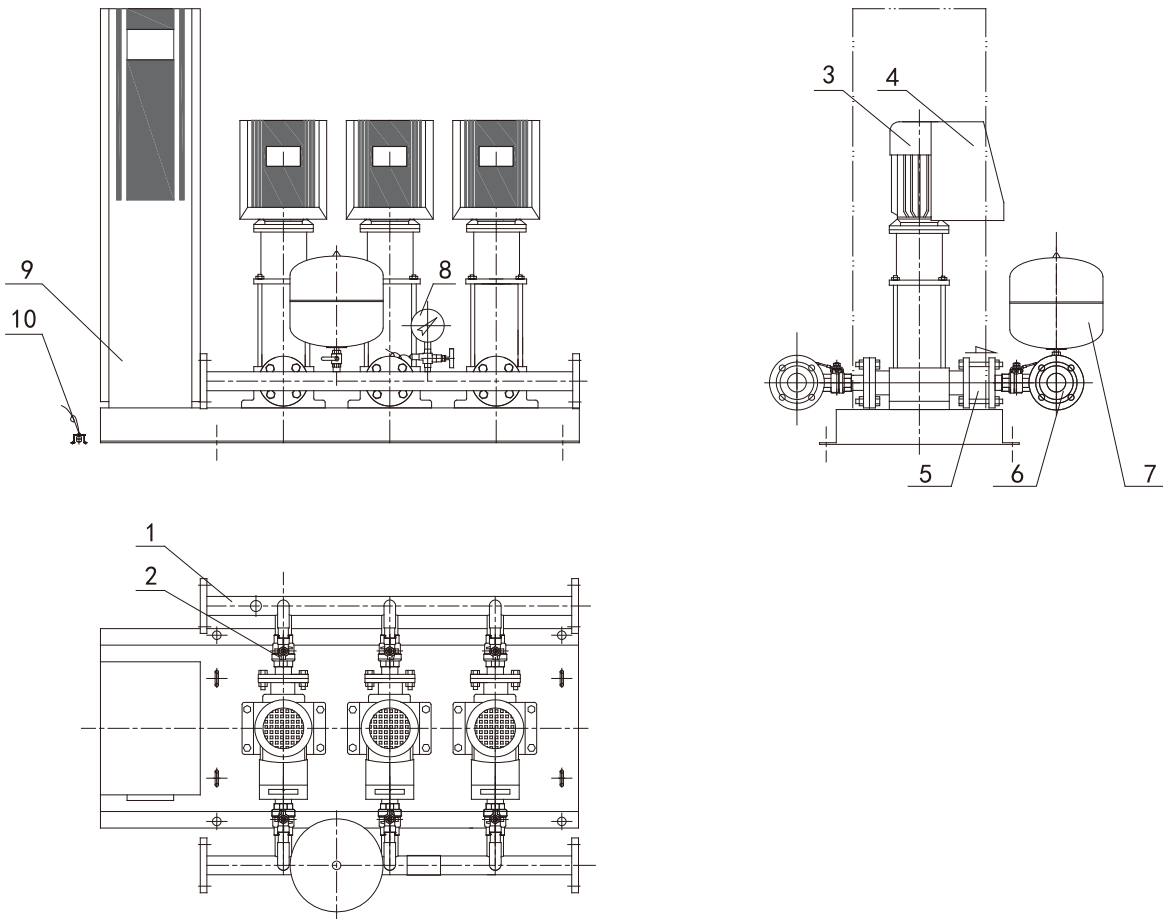
Item	Type	Vertical multistage pump			Parameters								
		Pump type	Qty.	Unit power (kW)	Inlet DN	Outlet DN	Capacity (m <sup>3</sup> /h)	9	11	15	17	19	
41	KQGV	KQDQE	50-15-29	2	2.2	80	80	Head (m)	30.5	29.5	29	27	26
42	KQGV	KQDQE	50-15-43	2	3	80	80		46	45	43	41	39
43	KQGV	KQDQE	50-15-58	2	4	80	80		61	60	58	55	52
44	KQGV	KQDQE	50-15-72	2	5.5	80	80		76	75	72	68	65
45	KQGV	KQDQE	50-15-87	2	7.5	80	80		92	90	87	83	79
46	KQGV	KQDQE	50-15-102	2	7.5	80	80		108	106	102	98	93
47	KQGV	KQDQE	50-15-117	2	11	80	80		125	122	117	113	109
48	KQGV	KQDQE	50-15-133	2	11	80	80		141	138	133	128	122

Item	Type	Pump type	Qty.	Unit power (kW)	Inlet DN	Outlet DN	Capacity (m <sup>3</sup> /h)	10	13	16	18	20	
49	KQGV	KQDQE	50-16-28	2	2.2	80	80	Head (m)	30	29	28	26	25
50	KQGV	KQDQE	50-16-42	2	3	80	80		45	44	42	40	38
51	KQGV	KQDQE	50-16-57	2	4	80	80		60	59	57	54	51
52	KQGV	KQDQE	50-16-71	2	5.5	80	80		75	74	71	67	64
53	KQGV	KQDQE	50-16-86	2	7.5	80	80		91	89	86	82	78
54	KQGV	KQDQE	50-16-100	2	7.5	80	80		107	104	100	96	92
55	KQGV	KQDQE	50-16-115	2	11	80	80		123	120	115	111	106
56	KQGV	KQDQE	50-16-130	2	11	80	80		140	136	130	125	120

Item	Type	Pump type	Qty.	Unit power (kW)	Inlet DN	Outlet DN	Capacity (m <sup>3</sup> /h)	12	15	20	22	24	
57	KQGV	KQDQE	50-20-14	2	1.5	80	80	Head (m)	16	15	14	13	12
58	KQGV	KQDQE	50-20-28	2	3	80	80		32	31	28	27	25
59	KQGV	KQDQE	50-20-43	2	4	80	80		49	47	43	41	38
60	KQGV	KQDQE	50-20-58	2	5.5	80	80		65	63	58	55	51
61	KQGV	KQDQE	50-20-74	2	7.5	80	80		82	80	74	70	65
62	KQGV	KQDQE	50-20-90	2	11	80	80		99	96	90	85	80
63	KQGV	KQDQE	50-20-105	2	11	80	80		116	113	105	100	95
64	KQGV	KQDQE	50-20-120	2	11	80	80		133	129	120	115	108
65	KQGV	KQDQE	50-20-135	2	15	80	80	150	145	135	129	122	

Item	Type	Pump type	Qty.	Unit power (kW)	Inlet DN	Outlet DN	Capacity (m <sup>3</sup> /h)	19	26	32	36	38	
66	KQGV	KQDQE	65-32-14	2	2.2	100	100	Head (m)	17	16	14	13	12.5
67	KQGV	KQDQE	65-32-29	2	4	100	100		35	33	29	27	26
68	KQGV	KQDQE	65-32-44	2	7.5	100	100		53	49	44	41	39
69	KQGV	KQDQE	65-32-59	2	11	100	100		70	65	59	53	50
70	KQGV	KQDQE	65-32-74	2	11	100	100		89	82	74	69	65.5
71	KQGV	KQDQE	65-32-90	2	15	100	100		107	99	90	84	80
72	KQGV	KQDQE	65-32-106	2	15	100	100		124	115	106	98	93

Item	Type	Pump type	Qty.	Unit power (kW)	Inlet DN	Outlet DN	Capacity (m <sup>3</sup> /h)	27	45	54	
73	KQGV	KQDQE	80-45X2/2	2	5.5	150	150	Head (m)	33	26	18
74	KQGV	KQDQE	80-45X2	2	7.5	150	150		42	35	27
75	KQGV	KQDQE	80-45X3/2	2	11	150	150		56	44	33
76	KQGV	KQDQE	80-45X3	2	11	150	150		65	53	42
77	KQGV	KQDQE	80-45X4/2	2	15	150	150		77	62	47
78	KQGV	KQDQE	80-45X4	2	15	150	150		86	71	56
79	KQGV	KQDQE	80-45X5/2	2	15	150	150		99	79	60



Main parts name			
Item	Inlet manifold	Item	Title
1	Inlet manifold	6	Outlet manifold
2	Ball valve	7	Expansion Tank(diagram is 12L)
3	Vertical multistage pump	8	pressure sensor(or electric contact pressure gauge)
4	Digital integrated frequency converter	9	control cabinet
5	Check valve	10	leakage sensor



5th generation Frequency conversion water supply equipment KQGV performance table(3BZ)

Item	Type	vertical multistage pump			Parameters								
		Pump type	Qty.	Unit power (kW)	Inlet DN	Outlet DN	Capacity (m <sup>3</sup> /h)	6	8	10	12	14	
1	KQGV	KQDQE	32-5-50	3	1.5	65	65	Head (m)	54	53	50	47	43
2	KQGV	KQDQE	32-5-58	3	1.5	65	65		63	61	58	55	51
3	KQGV	KQDQE	32-5-66	3	2.2	65	65		72	69	66	62	57
4	KQGV	KQDQE	32-5-73	3	2.2	65	65		80	77	73	69	63
5	KQGV	KQDQE	32-5-81	3	2.2	65	65		88	85	81	76	70
6	KQGV	KQDQE	32-5-88	3	2.2	65	65		96	92	88	83	77
7	KQGV	KQDQE	32-5-95	3	3	65	65		104	100	95	90	83
8	KQGV	KQDQE	32-5-103	3	3	65	65		112	108	103	97	90
9	KQGV	KQDQE	32-5-111	3	3	65	65		120	116	111	104	96
10	KQGV	KQDQE	32-5-119	3	3	65	65		128	124	119	112	103
11	KQGV	KQDQE	32-5-127	3	3	65	65		136	132	127	120	110
12	KQGV	KQDQE	32-5-134	3	4	65	65		144	139	134	126	117

Item	Type	Pump type	Qty.	Unit power (kW)	Inlet DN	Outlet DN	Capacity (m <sup>3</sup> /h)	10	14	16	18	20	
13	KQGV	KQDQE	40-8-34	3	1.5	65	65	Head (m)	35	34.5	34	32	31
14	KQGV	KQDQE	40-8-46	3	2.2	65	65		48	47	46	44	42
15	KQGV	KQDQE	40-8-57	3	2.2	65	65		59	58	57	55	53
16	KQGV	KQDQE	40-8-69	3	3	65	65		71	70	69	67	64
17	KQGV	KQDQE	40-8-81	3	3	65	65		83	82	81	78	74
18	KQGV	KQDQE	40-8-93	3	4	65	65		97	95	93	89	85
19	KQGV	KQDQE	40-8-105	3	4	65	65		109	107	105	101	96
20	KQGV	KQDQE	40-8-118	3	5.5	65	65		121	120	118	113	108
21	KQGV	KQDQE	40-8-130	3	5.5	65	65		133	131	130	125	120

Item	Type	Pump type	Qty.	Unit power (kW)	Inlet DN	Outlet DN	Capacity (m <sup>3</sup> /h)	12	16	20	22	24	
22	KQGV	KQDQE	40-10-32	3	1.5	65	65	Head (m)	33	32.5	32	31	29
23	KQGV	KQDQE	40-10-43	3	2.2	65	65		45	44	43	42	41
24	KQGV	KQDQE	40-10-54	3	2.2	65	65		57	56	54	52	50
25	KQGV	KQDQE	40-10-65	3	3	65	65		71	68	65	62	58
26	KQGV	KQDQE	40-10-76	3	4	65	65		82	79	76	72	67
27	KQGV	KQDQE	40-10-87	3	4	65	65		96	92	87	83	79
28	KQGV	KQDQE	40-10-98	3	4	65	65		108	103	98	93	88
29	KQGV	KQDQE	40-10-110	3	5.5	65	65		120	115	110	105	100
30	KQGV	KQDQE	40-10-122	3	5.5	65	65		132	127	122	116	110
31	KQGV	KQDQE	40-10-133	3	5.5	65	65		144	139	133	127	120

Item	Type	Pump type	Qty.	Unit power (kW)	Inlet DN	Outlet DN	Capacity (m <sup>3</sup> /h)	14	18	24	28	30	
32	KQGV	KQDQE	50-12-25	3	1.5	100	100	Head (m)	28	27	25	23	21
33	KQGV	KQDQE	50-12-39	3	2.2	100	100		43	42	39	35	32
34	KQGV	KQDQE	50-12-53	3	3	100	100		59	57	53	48	44
35	KQGV	KQDQE	50-12-67	3	4	100	100		74	72	67	61	57
36	KQGV	KQDQE	50-12-80	3	5.5	100	100		89	87	80	74	68
37	KQGV	KQDQE	50-12-94	3	5.5	100	100		104	102	94	86	80
38	KQGV	KQDQE	50-12-107	3	7.5	100	100		119	117	107	98	92
39	KQGV	KQDQE	50-12-121	3	7.5	100	100		133	130	121	110	104
40	KQGV	KQDQE	50-12-136	3	7.5	100	100		149	146	136	123	115

**5th generation Frequency conversion water supply equipment KQGV performance table(3BZ)**

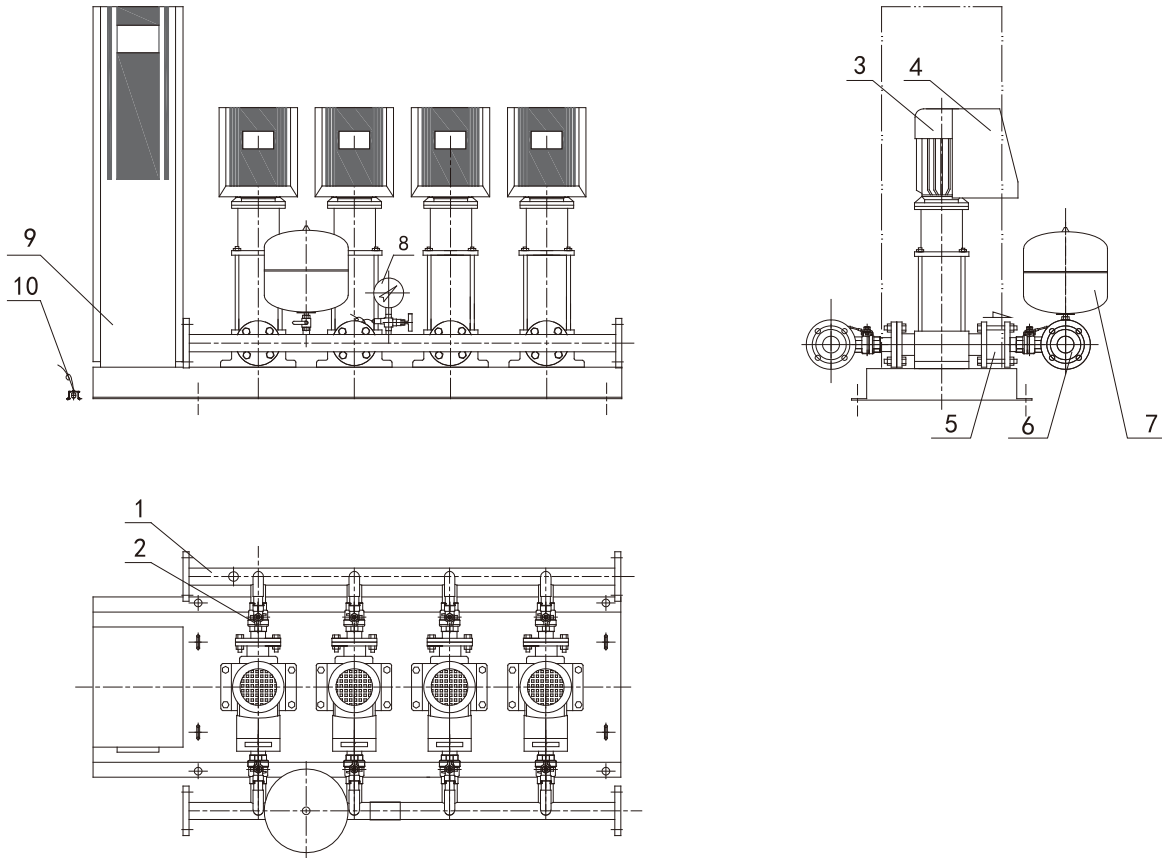
Item	Type	vertical multistage pump			Parameters								
		Pump type		Qty.	Unit power (kW)	Inlet DN	Outlet DN	Capacity (m <sup>3</sup> /h)	18	22	30	34	38
41	KQGV	KQDQE	50-15-29	3	2.2	100	100	Head (m)	30.5	29.5	29	27	26
42	KQGV	KQDQE	50-15-43	3	3	100	100		46	45	43	41	39
43	KQGV	KQDQE	50-15-58	3	4	100	100		61	60	58	55	52
44	KQGV	KQDQE	50-15-72	3	5.5	100	100		76	75	72	68	65
45	KQGV	KQDQE	50-15-87	3	7.5	100	100		92	90	87	83	79
46	KQGV	KQDQE	50-15-102	3	7.5	100	100		108	106	102	98	93
47	KQGV	KQDQE	50-15-117	3	11	100	100		125	122	117	113	109
48	KQGV	KQDQE	50-15-133	3	11	100	100		141	138	133	128	122

Item	Type	Pump type		Qty.	Unit power (kW)	Inlet DN	Outlet DN	Capacity (m <sup>3</sup> /h)	20	26	32	36	40
49	KQGV	KQDQE	50-16-28	3	2.2	100	100	Head (m)	30	29	28	26	25
50	KQGV	KQDQE	50-16-42	3	3	100	100		45	44	42	40	38
51	KQGV	KQDQE	50-16-57	3	4	100	100		60	59	57	54	51
52	KQGV	KQDQE	50-16-71	3	5.5	100	100		75	74	71	67	64
53	KQGV	KQDQE	50-16-86	3	7.5	100	100		91	89	86	82	78
54	KQGV	KQDQE	50-16-100	3	7.5	100	100		107	104	100	96	92
55	KQGV	KQDQE	50-16-115	3	11	100	100		123	120	115	111	106
56	KQGV	KQDQE	50-16-130	3	11	100	100		140	136	130	125	120

Item	Type	Pump type		Qty.	Unit power (kW)	Inlet DN	Outlet DN	Capacity (m <sup>3</sup> /h)	24	30	40	44	48
57	KQGV	KQDQE	50-20-14	3	1.5	100	100	Head (m)	16	15	14	13	12
58	KQGV	KQDQE	50-20-28	3	3	100	100		32	31	28	27	25
59	KQGV	KQDQE	50-20-43	3	4	100	100		49	47	43	41	38
60	KQGV	KQDQE	50-20-58	3	5.5	100	100		65	63	58	55	51
61	KQGV	KQDQE	50-20-74	3	7.5	100	100		82	80	74	70	65
62	KQGV	KQDQE	50-20-90	3	11	100	100		99	96	90	85	80
63	KQGV	KQDQE	50-20-105	3	11	100	100		116	113	105	100	95
64	KQGV	KQDQE	50-20-120	3	11	100	100		133	129	120	115	108
65	KQGV	KQDQE	50-20-135	3	15	100	100	150	145	135	129	122	

Item	Type	Pump type		Qty.	Unit power (kW)	Inlet DN	Outlet DN	Capacity (m <sup>3</sup> /h)	38	52	64	72	76
66	KQGV	KQDQE	65-32-14	3	2.2	150	150	Head (m)	17	16	14	13	12.5
67	KQGV	KQDQE	65-32-29	3	4	150	150		35	33	29	27	26
68	KQGV	KQDQE	65-32-44	3	7.5	150	150		53	49	44	41	39
69	KQGV	KQDQE	65-32-59	3	11	150	150		70	65	59	53	50
70	KQGV	KQDQE	65-32-74	3	11	150	150		89	82	74	69	65.5
71	KQGV	KQDQE	65-32-90	3	15	150	150		107	99	90	84	80
72	KQGV	KQDQE	65-32-106	3	15	150	150		124	115	106	98	93

Item	Type	pump type		Qty.	Unit power (kW)	Inlet DN	Outlet DN	Capacity (m <sup>3</sup> /h)	54	90	108
73	KQGV	KQDQE	80-45X2/2	3	5.5	150	150	Head (m)	33	26	18
74	KQGV	KQDQE	80-45X2	3	7.5	150	150		42	35	27
75	KQGV	KQDQE	80-45X3/2	3	11	150	150		56	44	33
76	KQGV	KQDQE	80-45X3	3	11	150	150		65	53	42
77	KQGV	KQDQE	80-45X4/2	3	15	150	150		77	62	47
78	KQGV	KQDQE	80-45X4	3	15	150	150		86	71	56
79	KQGV	KQDQE	80-45X5/2	3	15	150	150		99	79	60



Main parts name			
Item	Inlet manifold	Item	Title
1	Inlet manifold	6	Outlet manifold
2	Ball valve	7	Expansion Tank(diagram is 12L)
3	Vertical multistage pump	8	pressure sensor(or electric contact pressure gauge)
4	Digital integrated frequency converter	9	control cabinet
5	Check valve	10	leakage sensor

**5th generation Frequency conversion water supply equipment KQGV performance table(4BZ)**

Item	Type	vertical multistage pump			Parameters								
		Pump type	Qty.	Unit power (kW)	Inlet DN	Outlet DN	Capacity (m <sup>3</sup> /h)	9	12	15	18	21	
1	KQGV	KQDQE	32-5-50	4	1.5	80	80	Head (m)	54	53	50	47	43
2	KQGV	KQDQE	32-5-58	4	1.5	80	80		63	61	58	55	51
3	KQGV	KQDQE	32-5-66	4	2.2	80	80		72	69	66	62	57
4	KQGV	KQDQE	32-5-73	4	2.2	80	80		80	77	73	69	63
5	KQGV	KQDQE	32-5-81	4	2.2	80	80		88	85	81	76	70
6	KQGV	KQDQE	32-5-88	4	2.2	80	80		96	92	88	83	77
7	KQGV	KQDQE	32-5-95	4	3	80	80		104	100	95	90	83
8	KQGV	KQDQE	32-5-103	4	3	80	80		112	108	103	97	90
9	KQGV	KQDQE	32-5-111	4	3	80	80		120	116	111	104	96
10	KQGV	KQDQE	32-5-119	4	3	80	80		128	124	119	112	103
11	KQGV	KQDQE	32-5-127	4	3	80	80		136	132	127	120	110
12	KQGV	KQDQE	32-5-134	4	4	80	80		144	139	134	126	117

Item	Type	Pump type	Qty.	Unit power (kW)	Inlet DN	Outlet DN	Capacity (m <sup>3</sup> /h)	15	21	24	27	30	
13	KQGV	KQDQE	40-8-34	4	1.5	80	80	Head (m)	35	34.5	34	32	31
14	KQGV	KQDQE	40-8-46	4	2.2	80	80		48	47	46	44	42
15	KQGV	KQDQE	40-8-57	4	2.2	80	80		59	58	57	55	53
16	KQGV	KQDQE	40-8-69	4	3	80	80		71	70	69	67	64
17	KQGV	KQDQE	40-8-81	4	3	80	80		83	82	81	78	74
18	KQGV	KQDQE	40-8-93	4	4	80	80		97	95	93	89	85
19	KQGV	KQDQE	40-8-105	4	4	80	80		109	107	105	101	96
20	KQGV	KQDQE	40-8-118	4	5.5	80	80		121	120	118	113	108
21	KQGV	KQDQE	40-8-130	4	5.5	80	80		133	131	130	125	120

Item	Type	Pump type	Qty.	Unit power (kW)	Inlet DN	Outlet DN	Capacity (m <sup>3</sup> /h)	18	24	30	33	36	
22	KQGV	KQDQE	40-10-32	4	1.5	80	80	Head (m)	33	32.5	32	31	29
23	KQGV	KQDQE	40-10-43	4	2.2	80	80		45	44	43	42	41
24	KQGV	KQDQE	40-10-54	4	2.2	80	80		57	56	54	52	50
25	KQGV	KQDQE	40-10-65	4	3	80	80		71	68	65	62	58
26	KQGV	KQDQE	40-10-76	4	4	80	80		82	79	76	72	67
27	KQGV	KQDQE	40-10-87	4	4	80	80		96	92	87	83	79
28	KQGV	KQDQE	40-10-98	4	4	80	80		108	103	98	93	88
29	KQGV	KQDQE	40-10-110	4	5.5	80	80		120	115	110	105	100
30	KQGV	KQDQE	40-10-122	4	5.5	80	80		132	127	122	116	110
31	KQGV	KQDQE	40-10-133	4	5.5	80	80		144	139	133	127	120

Item	Type	Pump type	Qty.	Unit power (kW)	Inlet DN	Outlet DN	Capacity (m <sup>3</sup> /h)	21	27	36	42	45	
32	KQGV	KQDQE	50-12-25	4	1.5	150	150	Head (m)	28	27	25	23	21
33	KQGV	KQDQE	50-12-39	4	2.2	150	150		43	42	39	35	32
34	KQGV	KQDQE	50-12-53	4	3	150	150		59	57	53	48	44
35	KQGV	KQDQE	50-12-67	4	4	150	150		74	72	67	61	57
36	KQGV	KQDQE	50-12-80	4	5.5	150	150		89	87	80	74	68
37	KQGV	KQDQE	50-12-94	4	5.5	150	150		104	102	94	86	80
38	KQGV	KQDQE	50-12-107	4	7.5	150	150		119	117	107	98	92
39	KQGV	KQDQE	50-12-121	4	7.5	150	150		133	130	121	110	104
40	KQGV	KQDQE	50-12-136	4	7.5	150	150		149	146	136	123	115

5th generation Frequency conversion water supply equipment KQGV performance table(4BZ)

Item	Type	vertical multistage pump			Parameters								
		Pump type	Qty.	Unit power (kW)	Inlet DN	Outlet DN	Capacity (m <sup>3</sup> /h)	27	33	45	51	57	
41	KQGV	KQDQE	50-15-29	4	2.2	150	150	Head (m)	30.5	29.5	29	27	26
42	KQGV	KQDQE	50-15-43	4	3	150	150		46	45	43	41	39
43	KQGV	KQDQE	50-15-58	4	4	150	150		61	60	58	55	52
44	KQGV	KQDQE	50-15-72	4	5.5	150	150		76	75	72	68	65
45	KQGV	KQDQE	50-15-87	4	7.5	150	150		92	90	87	83	79
46	KQGV	KQDQE	50-15-102	4	7.5	150	150		108	106	102	98	93
47	KQGV	KQDQE	50-15-117	4	11	150	150		125	122	117	113	109
48	KQGV	KQDQE	50-15-133	4	11	150	150		141	138	133	128	122

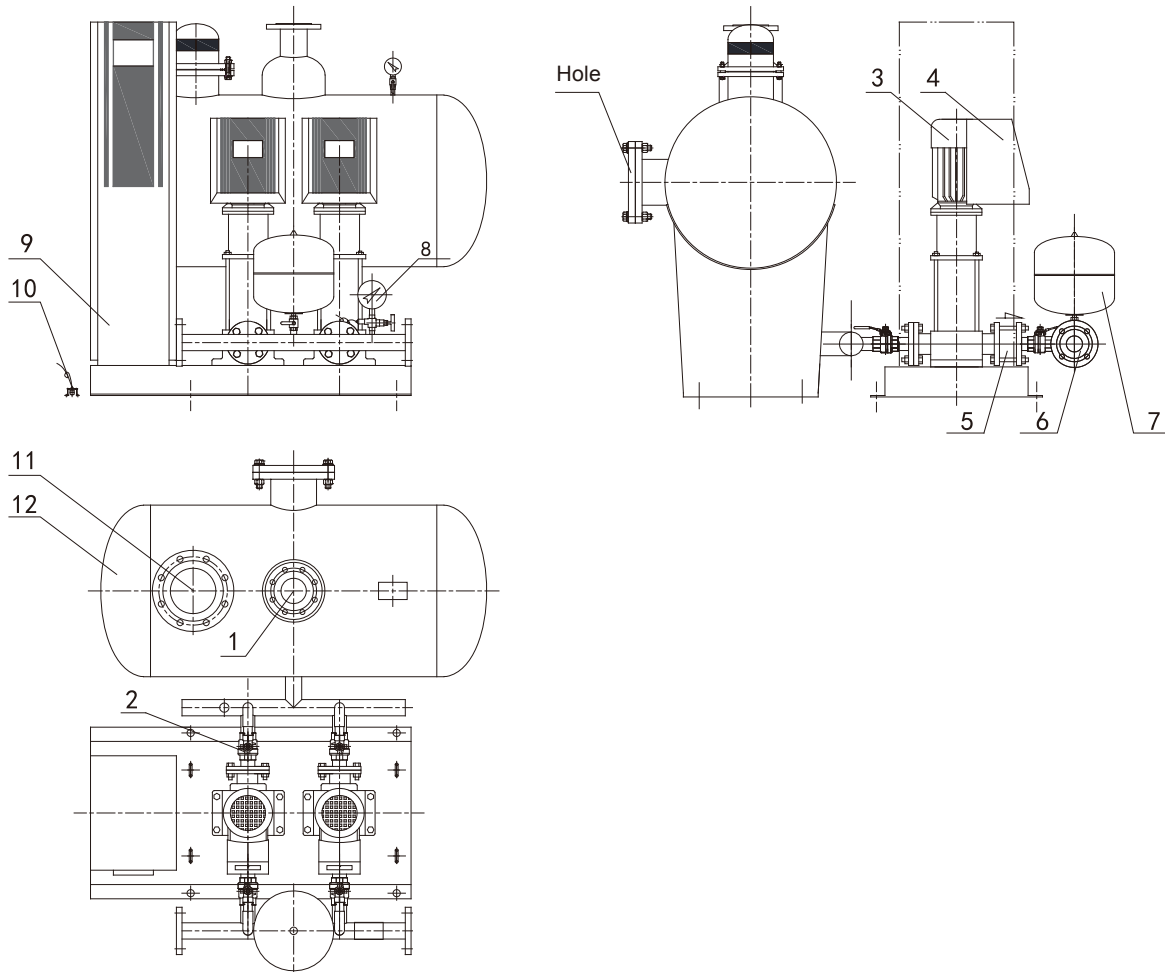
Item	Type	Pump type	Qty.	Unit power (kW)	Inlet DN	Outlet DN	Capacity (m <sup>3</sup> /h)	30	39	48	54	60	
49	KQGV	KQDQE	50-16-28	4	2.2	150	150	Head (m)	30	29	28	26	25
50	KQGV	KQDQE	50-16-42	4	3	150	150		45	44	42	40	38
51	KQGV	KQDQE	50-16-57	4	4	150	150		60	59	57	54	51
52	KQGV	KQDQE	50-16-71	4	5.5	150	150		75	74	71	67	64
53	KQGV	KQDQE	50-16-86	4	7.5	150	150		91	89	86	82	78
54	KQGV	KQDQE	50-16-100	4	7.5	150	150		107	104	100	96	92
55	KQGV	KQDQE	50-16-115	4	11	150	150		123	120	115	111	106
56	KQGV	KQDQE	50-16-130	4	11	150	150		140	136	130	125	120

Item	Type	Pump type	Qty.	Unit power (kW)	Inlet DN	Outlet DN	Capacity (m <sup>3</sup> /h)	36	45	60	66	72	
57	KQGV	KQDQE	50-20-14	4	1.5	150	150	Head (m)	16	15	14	13	12
58	KQGV	KQDQE	50-20-28	4	3	150	150		32	31	28	27	25
59	KQGV	KQDQE	50-20-43	4	4	150	150		49	47	43	41	38
60	KQGV	KQDQE	50-20-58	4	5.5	150	150		65	63	58	55	51
61	KQGV	KQDQE	50-20-74	4	7.5	150	150		82	80	74	70	65
62	KQGV	KQDQE	50-20-90	4	11	150	150		99	96	90	85	80
63	KQGV	KQDQE	50-20-105	4	11	150	150		116	113	105	100	95
64	KQGV	KQDQE	50-20-120	4	11	150	150		133	129	120	115	108
65	KQGV	KQDQE	50-20-135	4	15	150	150	150	145	135	129	122	

Item	Type	Pump type	Qty.	Unit power (kW)	Inlet DN	Outlet DN	Capacity (m <sup>3</sup> /h)	57	78	96	108	114	
66	KQGV	KQDQE	65-32-14	4	2.2	150	150	Head (m)	17	16	14	13	12.5
67	KQGV	KQDQE	65-32-29	4	4	150	150		35	33	29	27	26
68	KQGV	KQDQE	65-32-44	4	7.5	150	150		53	49	44	41	39
69	KQGV	KQDQE	65-32-59	4	11	150	150		70	65	59	53	50
70	KQGV	KQDQE	65-32-74	4	11	150	150		89	82	74	69	65.5
71	KQGV	KQDQE	65-32-90	4	15	150	150		107	99	90	84	80
72	KQGV	KQDQE	65-32-106	4	15	150	150		124	115	106	98	93

Item	Type	Pump type	Qty.	Unit power (kW)	Inlet DN	Outlet DN	Capacity (m <sup>3</sup> /h)	81	135	162	
73	KQGV	KQDQE	80-45X2/2	4	5.5	200	200	Head (m)	33	26	18
74	KQGV	KQDQE	80-45X2	4	7.5	200	200		42	35	27
75	KQGV	KQDQE	80-45X3/2	4	11	200	200		56	44	33
76	KQGV	KQDQE	80-45X3	4	11	200	200		65	53	42
77	KQGV	KQDQE	80-45X4/2	4	15	200	200		77	62	47
78	KQGV	KQDQE	80-45X4	4	15	200	200		86	71	56
79	KQGV	KQDQE	80-45X5/2	4	15	200	200		99	79	60

## WFYV diagram and main parts



Main parts name			
Item	Inlet manifold	Item	Title
1	Inlet manifold	7	Expansion Tank(diagram is 12L)
2	Ball valve	8	pressure sensor(or electric contact pressure gauge)
3	Vertical multistage pump	9	control cabinet
4	Digital integrated frequency converter	10	leakage sensor
5	Check valve	11	Vacuum suppressor
6	Outlet manifold	12	Steady flow tank

5th generation Frequency conversion water supply equipment WFYV performance table(2BZ)

Item	Type	Vertical multistage pump				Stably flow tank		Parameters							
		Pump type		Qty.	Unit power (kW)	Model	Volume m <sup>3</sup>	Inlet DN	Outlet DN	Capacity (m <sup>3</sup> /h)	3	4	5	6	7
1	WFYV	KQDQE	32-5-50	2	1.5	WFY600	0.35	80	80	Head (m)	54	53	50	47	43
2	WFYV	KQDQE	32-5-58	2	1.5	WFY600	0.35	80	80		63	61	58	55	51
3	WFYV	KQDQE	32-5-66	2	2.2	WFY600	0.35	80	80		72	69	66	62	57
4	WFYV	KQDQE	32-5-73	2	2.2	WFY600	0.35	80	80		80	77	73	69	63
5	WFYV	KQDQE	32-5-81	2	2.2	WFY600	0.35	80	80		88	85	81	76	70
6	WFYV	KQDQE	32-5-88	2	2.2	WFY600	0.35	80	80		96	92	88	83	77
7	WFYV	KQDQE	32-5-95	2	3	WFY600	0.35	80	80		104	100	95	90	83
8	WFYV	KQDQE	32-5-103	2	3	WFY600	0.35	80	80		112	108	103	97	90
9	WFYV	KQDQE	32-5-111	2	3	WFY600	0.35	80	80		120	116	111	104	96
10	WFYV	KQDQE	32-5-119	2	3	WFY600	0.35	80	80		128	124	119	112	103
11	WFYV	KQDQE	32-5-127	2	3	WFY600	0.35	80	80		136	132	127	120	110
12	WFYV	KQDQE	32-5-134	2	4	WFY600	0.35	80	80		144	139	134	126	117

Item	Type	Pump type	Qty.	Unit power (kW)	Model	Volume m <sup>3</sup>	Inlet DN	Outlet DN	Capacity (m <sup>3</sup> /h)	5	7	8	9	10	
13	WFYV	KQDQE	40-8-34	2	1.5	WFY600	0.35	80	80	Head (m)	35	34.5	34	32	31
14	WFYV	KQDQE	40-8-46	2	2.2	WFY600	0.35	80	80		48	47	46	44	42
15	WFYV	KQDQE	40-8-57	2	2.2	WFY600	0.35	80	80		59	58	57	55	53
16	WFYV	KQDQE	40-8-69	2	3	WFY600	0.35	80	80		71	70	69	67	64
17	WFYV	KQDQE	40-8-81	2	3	WFY600	0.35	80	80		83	82	81	78	74
18	WFYV	KQDQE	40-8-93	2	4	WFY600	0.35	80	80		97	95	93	89	85
19	WFYV	KQDQE	40-8-105	2	4	WFY600	0.35	80	80		109	107	105	101	96
20	WFYV	KQDQE	40-8-118	2	5.5	WFY600	0.35	80	80		121	120	118	113	108
21	WFYV	KQDQE	40-8-130	2	5.5	WFY600	0.35	80	80		133	131	130	125	120

Item	Type	Pump type	Qty.	Unit power (kW)	Model	Volume m <sup>3</sup>	Inlet DN	Outlet DN	Capacity (m <sup>3</sup> /h)	6	8	10	11	12	
22	WFYV	KQDQE	40-10-32	2	1.5	WFY600	0.35	80	80	Head (m)	33	32.5	32	31	29
23	WFYV	KQDQE	40-10-43	2	2.2	WFY600	0.35	80	80		45	44	43	42	41
24	WFYV	KQDQE	40-10-54	2	2.2	WFY600	0.35	80	80		57	56	54	52	50
25	WFYV	KQDQE	40-10-65	2	3	WFY600	0.35	80	80		71	68	65	62	58
26	WFYV	KQDQE	40-10-76	2	4	WFY600	0.35	80	80		82	79	76	72	67
27	WFYV	KQDQE	40-10-87	2	4	WFY600	0.35	80	80		96	92	87	83	79
28	WFYV	KQDQE	40-10-98	2	4	WFY600	0.35	80	80		108	103	98	93	88
29	WFYV	KQDQE	40-10-110	2	5.5	WFY600	0.35	80	80		120	115	110	105	100
30	WFYV	KQDQE	40-10-122	2	5.5	WFY600	0.35	80	80		132	127	122	116	110
31	WFYV	KQDQE	40-10-133	2	5.5	WFY600	0.35	80	80		144	139	133	127	120

Item	Type	Pump type	Qty.	Unit power (kW)	Model	Volume m <sup>3</sup>	Inlet DN	Outlet DN	Capacity (m <sup>3</sup> /h)	7	9	12	14	15	
32	WFYV	KQDQE	50-12-25	2	1.5	WFY800	0.7	100	100	Head (m)	28	27	25	23	21
33	WFYV	KQDQE	50-12-39	2	2.2	WFY800	0.7	100	100		43	42	39	35	32
34	WFYV	KQDQE	50-12-53	2	3	WFY800	0.7	100	100		59	57	53	48	44
35	WFYV	KQDQE	50-12-67	2	4	WFY800	0.7	100	100		74	72	67	61	57
36	WFYV	KQDQE	50-12-80	2	5.5	WFY800	0.7	100	100		89	87	80	74	68
37	WFYV	KQDQE	50-12-94	2	5.5	WFY800	0.7	100	100		104	102	94	86	80
38	WFYV	KQDQE	50-12-107	2	7.5	WFY800	0.7	100	100		119	117	107	98	92
39	WFYV	KQDQE	50-12-121	2	7.5	WFY800	0.7	100	100		133	130	121	110	104
40	WFYV	KQDQE	50-12-136	2	7.5	WFY800	0.7	100	100		149	146	136	123	115

**5th generation Frequency conversion water supply equipment WFYV performance table(2BZ)**

Item	Type	Vertical multistage pump			Stably flow tank		Parameters								
		Pump type	Qty.	Unit power (kW)	Model	Volume m <sup>3</sup>	Inlet DN	Outlet DN	Capacity (m <sup>3</sup> /h)	9	11	15	17	19	
41	WFYV	KQDQE	50-15-29	2	2.2	WFY800	0.7	100	100	Head (m)	30.5	29.5	29	27	26
42	WFYV	KQDQE	50-15-43	2	3	WFY800	0.7	100	100		46	45	43	41	39
43	WFYV	KQDQE	50-15-58	2	4	WFY800	0.7	100	100		61	60	58	55	52
44	WFYV	KQDQE	50-15-72	2	5.5	WFY800	0.7	100	100		76	75	72	68	65
45	WFYV	KQDQE	50-15-87	2	7.5	WFY800	0.7	100	100		92	90	87	83	79
46	WFYV	KQDQE	50-15-102	2	7.5	WFY800	0.7	100	100		108	106	102	98	93
47	WFYV	KQDQE	50-15-117	2	11	WFY800	0.7	100	100		125	122	117	113	109
48	WFYV	KQDQE	50-15-133	2	11	WFY800	0.7	100	100		141	138	133	128	122

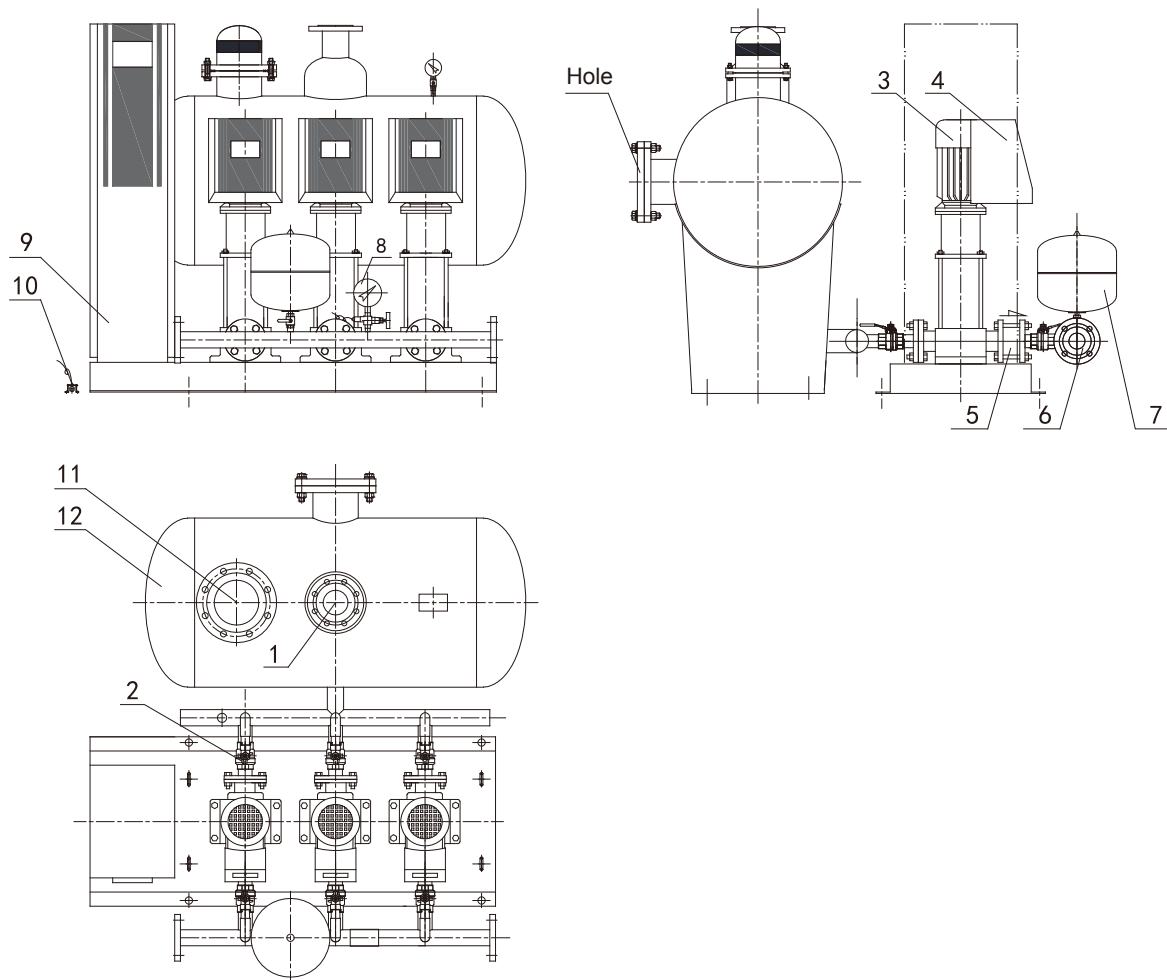
Item	Type	Pump type	Qty.	Unit power (kW)	Model	Volume m <sup>3</sup>	Inlet DN	Outlet DN	Capacity (m <sup>3</sup> /h)	10	13	16	18	20	
49	WFYV	KQDQE	50-16-28	2	2.2	WFY800	0.7	100	100	Head (m)	30	29	28	26	25
50	WFYV	KQDQE	50-16-42	2	3	WFY800	0.7	100	100		45	44	42	40	38
51	WFYV	KQDQE	50-16-57	2	4	WFY800	0.7	100	100		60	59	57	54	51
52	WFYV	KQDQE	50-16-71	2	5.5	WFY800	0.7	100	100		75	74	71	67	64
53	WFYV	KQDQE	50-16-86	2	7.5	WFY800	0.7	100	100		91	89	86	82	78
54	WFYV	KQDQE	50-16-100	2	7.5	WFY800	0.7	100	100		107	104	100	96	92
55	WFYV	KQDQE	50-16-115	2	11	WFY800	0.7	100	100		123	120	115	111	106
56	WFYV	KQDQE	50-16-130	2	11	WFY800	0.7	100	100		140	136	130	125	120

Item	Type	Pump type	Qty.	Unit power (kW)	Model	Volume m <sup>3</sup>	Inlet DN	Outlet DN	Capacity (m <sup>3</sup> /h)	12	15	20	22	24	
57	WFYV	KQDQE	50-20-14	2	1.5	WFY800	0.7	100	100	Head (m)	16	15	14	13	12
58	WFYV	KQDQE	50-20-28	2	3	WFY800	0.7	100	100		32	31	28	27	25
59	WFYV	KQDQE	50-20-43	2	4	WFY800	0.7	100	100		49	47	43	41	38
60	WFYV	KQDQE	50-20-58	2	5.5	WFY800	0.7	100	100		65	63	58	55	51
61	WFYV	KQDQE	50-20-74	2	7.5	WFY800	0.7	100	100		82	80	74	70	65
62	WFYV	KQDQE	50-20-90	2	11	WFY800	0.7	100	100		99	96	90	85	80
63	WFYV	KQDQE	50-20-105	2	11	WFY800	0.7	100	100		116	113	105	100	95
64	WFYV	KQDQE	50-20-120	2	11	WFY800	0.7	100	100		133	129	120	115	108
65	WFYV	KQDQE	50-20-135	2	15	WFY800	0.7	100	100	150	145	135	129	122	

Item	Type	Pump type	Qty.	Unit power (kW)	Model	Volume m <sup>3</sup>	Inlet DN	Outlet DN	Capacity (m <sup>3</sup> /h)	19	26	32	36	38	
66	WFYV	KQDQE	65-32-14	2	2.2	WFY800	0.7	100	100	Head (m)	17	16	14	13	12.5
67	WFYV	KQDQE	65-32-29	2	4	WFY800	0.7	100	100		35	33	29	27	26
68	WFYV	KQDQE	65-32-44	2	7.5	WFY800	0.7	100	100		53	49	44	41	39
69	WFYV	KQDQE	65-32-59	2	11	WFY800	0.7	100	100		70	65	59	53	50
70	WFYV	KQDQE	65-32-74	2	11	WFY800	0.7	100	100		89	82	74	69	65.5
71	WFYV	KQDQE	65-32-90	2	15	WFY800	0.7	100	100		107	99	90	84	80
72	WFYV	KQDQE	65-32-106	2	15	WFY800	0.7	100	100		124	115	106	98	93

Item	Type	Pump type	Qty.	Unit power (kW)	Model	Volume m <sup>3</sup>	Inlet DN	Outlet DN	Capacity (m <sup>3</sup> /h)	27	45	54	
73	WFYV	KQDQE	80-45X2/2	2	5.5	WFY1000	1.5	150	150	Head (m)	33	26	18
74	WFYV	KQDQE	80-45X2	2	7.5	WFY1000	1.5	150	150		42	35	27
75	WFYV	KQDQE	80-45X3/2	2	11	WFY1000	1.5	150	150		56	44	33
76	WFYV	KQDQE	80-45X3	2	11	WFY1000	1.5	150	150		65	53	42
77	WFYV	KQDQE	80-45X4/2	2	15	WFY1000	1.5	150	150		77	62	47
78	WFYV	KQDQE	80-45X4	2	15	WFY1000	1.5	150	150		86	71	56
79	WFYV	KQDQE	80-45X5/2	2	15	WFY1000	1.5	150	150		99	79	60





Main parts name			
Item	Inlet manifold	Item	Title
1	Inlet manifold	7	Expansion Tank(diagram is 12L)
2	Ball valve	8	pressure sensor(or electric contact pressure gauge)
3	Vertical multistage pump	9	control cabinet
4	Digital integrated frequency converter	10	leakage sensor
5	Check valve	11	Vacuum suppressor
6	Outlet manifold	12	Steady flow tank

**5th generation Frequency conversion water supply equipment WFYV performance table(3BZ)**

Item	Type	Vertical multistage pump			Stably flow tank		Parameters								
		Pump type	Qty.	Unit power (kW)	Model	Volume m <sup>3</sup>	Inlet DN	Outlet DN	Capacity (m <sup>3</sup> /h)	6	8	10	12	14	
1	WFYV	KQDQE	32-5-50	3	1.5	WFY600	0.35	80	80	Head (m)	54	53	50	47	43
2	WFYV	KQDQE	32-5-58	3	1.5	WFY600	0.35	80	80		63	61	58	55	51
3	WFYV	KQDQE	32-5-66	3	2.2	WFY600	0.35	80	80		72	69	66	62	57
4	WFYV	KQDQE	32-5-73	3	2.2	WFY600	0.35	80	80		80	77	73	69	63
5	WFYV	KQDQE	32-5-81	3	2.2	WFY600	0.35	80	80		88	85	81	76	70
6	WFYV	KQDQE	32-5-88	3	2.2	WFY600	0.35	80	80		96	92	88	83	77
7	WFYV	KQDQE	32-5-95	3	3	WFY600	0.35	80	80		104	100	95	90	83
8	WFYV	KQDQE	32-5-103	3	3	WFY600	0.35	80	80		112	108	103	97	90
9	WFYV	KQDQE	32-5-111	3	3	WFY600	0.35	80	80		120	116	111	104	96
10	WFYV	KQDQE	32-5-119	3	3	WFY600	0.35	80	80		128	124	119	112	103
11	WFYV	KQDQE	32-5-127	3	3	WFY600	0.35	80	80		136	132	127	120	110
12	WFYV	KQDQE	32-5-134	3	4	WFY600	0.35	80	80		144	139	134	126	117

Item	Type	Pump type	Qty.	Unit power (kW)	Model	Volume m <sup>3</sup>	Inlet DN	Outlet DN	Capacity (m <sup>3</sup> /h)	10	14	16	18	20	
13	WFYV	KQDQE	40-8-34	3	1.5	WFY600	0.35	80	80	Head (m)	35	34.5	34	32	31
14	WFYV	KQDQE	40-8-46	3	2.2	WFY600	0.35	80	80		48	47	46	44	42
15	WFYV	KQDQE	40-8-57	3	2.2	WFY600	0.35	80	80		59	58	57	55	53
16	WFYV	KQDQE	40-8-69	3	3	WFY600	0.35	80	80		71	70	69	67	64
17	WFYV	KQDQE	40-8-81	3	3	WFY600	0.35	80	80		83	82	81	78	74
18	WFYV	KQDQE	40-8-93	3	4	WFY600	0.35	80	80		97	95	93	89	85
19	WFYV	KQDQE	40-8-105	3	4	WFY600	0.35	80	80		109	107	105	101	96
20	WFYV	KQDQE	40-8-118	3	5.5	WFY600	0.35	80	80		121	120	118	113	108
21	WFYV	KQDQE	40-8-130	3	5.5	WFY600	0.35	80	80		133	131	130	125	120

Item	Type	Pump type	Qty.	Unit power (kW)	Model	Volume m <sup>3</sup>	Inlet DN	Outlet DN	Capacity (m <sup>3</sup> /h)	12	16	20	22	24	
22	WFYV	KQDQE	40-10-32	3	1.5	WFY600	0.35	80	80	Head (m)	33	32.5	32	31	29
23	WFYV	KQDQE	40-10-43	3	2.2	WFY600	0.35	80	80		45	44	43	42	41
24	WFYV	KQDQE	40-10-54	3	2.2	WFY600	0.35	80	80		57	56	54	52	50
25	WFYV	KQDQE	40-10-65	3	3	WFY600	0.35	80	80		71	68	65	62	58
26	WFYV	KQDQE	40-10-76	3	4	WFY600	0.35	80	80		82	79	76	72	67
27	WFYV	KQDQE	40-10-87	3	4	WFY600	0.35	80	80		96	92	87	83	79
28	WFYV	KQDQE	40-10-98	3	4	WFY600	0.35	80	80		108	103	98	93	88
29	WFYV	KQDQE	40-10-110	3	5.5	WFY600	0.35	80	80		120	115	110	105	100
30	WFYV	KQDQE	40-10-122	3	5.5	WFY600	0.35	80	80		132	127	122	116	110
31	WFYV	KQDQE	40-10-133	3	5.5	WFY600	0.35	80	80		144	139	133	127	120

Item	Type	Pump type	Qty.	Unit power (kW)	Model	Volume m <sup>3</sup>	Inlet DN	Outlet DN	Capacity (m <sup>3</sup> /h)	14	18	24	28	30	
32	WFYV	KQDQE	50-12-25	3	1.5	WFY800	0.7	100	100	Head (m)	28	27	25	23	21
33	WFYV	KQDQE	50-12-39	3	2.2	WFY800	0.7	100	100		43	42	39	35	32
34	WFYV	KQDQE	50-12-53	3	3	WFY800	0.7	100	100		59	57	53	48	44
35	WFYV	KQDQE	50-12-67	3	4	WFY800	0.7	100	100		74	72	67	61	57
36	WFYV	KQDQE	50-12-80	3	5.5	WFY800	0.7	100	100		89	87	80	74	68
37	WFYV	KQDQE	50-12-94	3	5.5	WFY800	0.7	100	100		104	102	94	86	80
38	WFYV	KQDQE	50-12-107	3	7.5	WFY800	0.7	100	100		119	117	107	98	92
39	WFYV	KQDQE	50-12-121	3	7.5	WFY800	0.7	100	100		133	130	121	110	104
40	WFYV	KQDQE	50-12-136	3	7.5	WFY800	0.7	100	100		149	146	136	123	115

5th generation Frequency conversion water supply equipment WFYV performance table(3BZ)

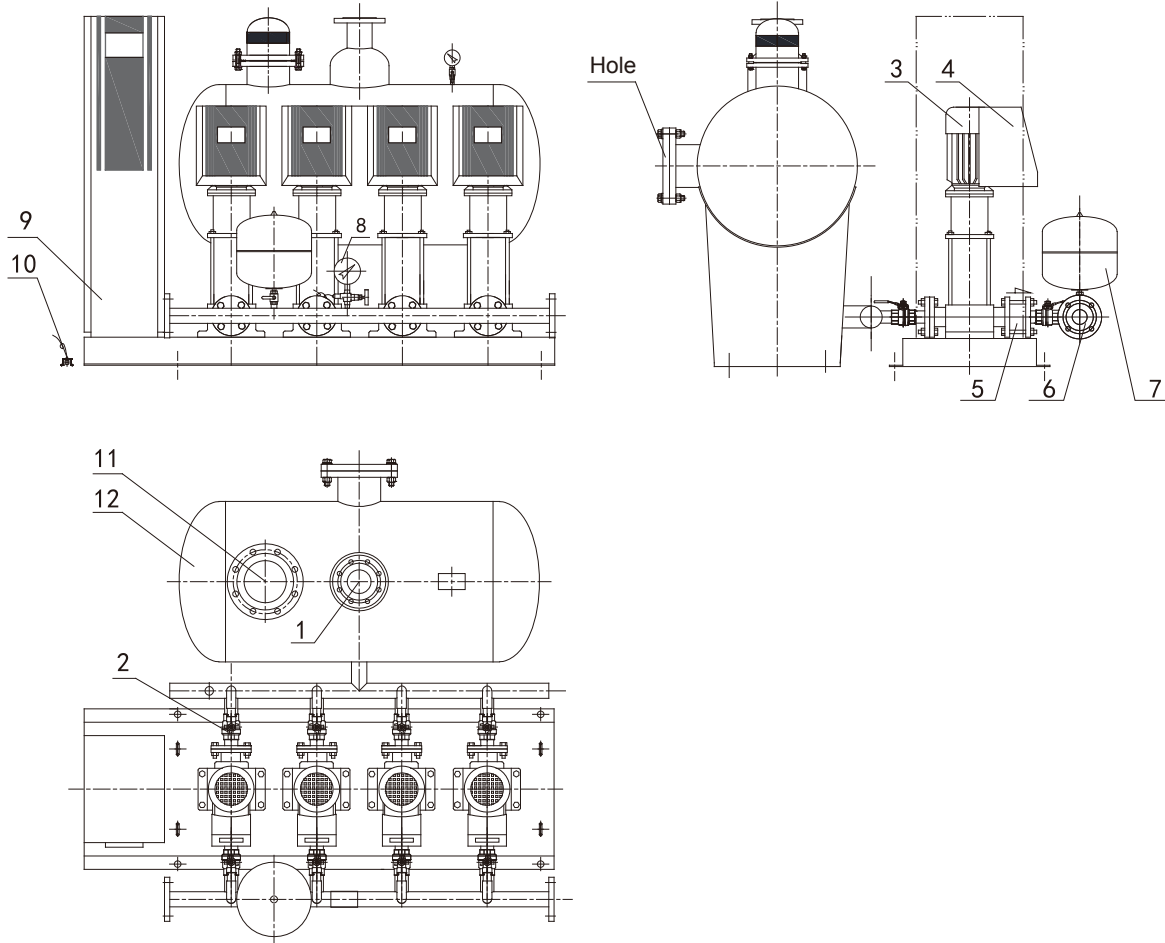
Item	Type	Vertical multistage pump				Stably flow tank		Parameters							
		Pump type		Qty.	Unit power (kW)	Model	Volume m <sup>3</sup>	Inlet DN	Outlet DN	Capacity (m <sup>3</sup> /h)	18	22	30	34	38
41	WFYV	KQDQE	50-15-29	3	2.2	WFY800	0.7	100	100	Head (m)	30.5	29.5	29	27	26
42	WFYV	KQDQE	50-15-43	3	3	WFY800	0.7	100	100		46	45	43	41	39
43	WFYV	KQDQE	50-15-58	3	4	WFY800	0.7	100	100		61	60	58	55	52
44	WFYV	KQDQE	50-15-72	3	5.5	WFY800	0.7	100	100		76	75	72	68	65
45	WFYV	KQDQE	50-15-87	3	7.5	WFY800	0.7	100	100		92	90	87	83	79
46	WFYV	KQDQE	50-15-102	3	7.5	WFY800	0.7	100	100		108	106	102	98	93
47	WFYV	KQDQE	50-15-117	3	11	WFY800	0.7	100	100		125	122	117	113	109
48	WFYV	KQDQE	50-15-133	3	11	WFY800	0.7	100	100		141	138	133	128	122

Item	Type	Pump type		Qty.	Unit power (kW)	Model	Volume m <sup>3</sup>	Inlet DN	Outlet DN	Capacity (m <sup>3</sup> /h)	20	26	32	36	40
49	WFYV	KQDQE	50-16-28	3	2.2	WFY800	0.7	100	100	Head (m)	30	29	28	26	25
50	WFYV	KQDQE	50-16-42	3	3	WFY800	0.7	100	100		45	44	42	40	38
51	WFYV	KQDQE	50-16-57	3	4	WFY800	0.7	100	100		60	59	57	54	51
52	WFYV	KQDQE	50-16-71	3	5.5	WFY800	0.7	100	100		75	74	71	67	64
53	WFYV	KQDQE	50-16-86	3	7.5	WFY800	0.7	100	100		91	89	86	82	78
54	WFYV	KQDQE	50-16-100	3	7.5	WFY800	0.7	100	100		107	104	100	96	92
55	WFYV	KQDQE	50-16-115	3	11	WFY800	0.7	100	100		123	120	115	111	106
56	WFYV	KQDQE	50-16-130	3	11	WFY800	0.7	100	100		140	136	130	125	120

Item	Type	Pump type		Qty.	Unit power (kW)	Model	Volume m <sup>3</sup>	Inlet DN	Outlet DN	Capacity (m <sup>3</sup> /h)	24	30	40	44	48
57	WFYV	KQDQE	50-20-14	3	1.5	WFY800	0.7	100	100	Head (m)	16	15	14	13	12
58	WFYV	KQDQE	50-20-28	3	3	WFY800	0.7	100	100		32	31	28	27	25
59	WFYV	KQDQE	50-20-43	3	4	WFY800	0.7	100	100		49	47	43	41	38
60	WFYV	KQDQE	50-20-58	3	5.5	WFY800	0.7	100	100		65	63	58	55	51
61	WFYV	KQDQE	50-20-74	3	7.5	WFY800	0.7	100	100		82	80	74	70	65
62	WFYV	KQDQE	50-20-90	3	11	WFY800	0.7	100	100		99	96	90	85	80
63	WFYV	KQDQE	50-20-105	3	11	WFY800	0.7	100	100		116	113	105	100	95
64	WFYV	KQDQE	50-20-120	3	11	WFY800	0.7	100	100		133	129	120	115	108
65	WFYV	KQDQE	50-20-135	3	15	WFY800	0.7	100	100	150	145	135	129	122	

Item	Type	Pump type		Qty.	Unit power (kW)	Model	Volume m <sup>3</sup>	Inlet DN	Outlet DN	Capacity (m <sup>3</sup> /h)	38	52	64	72	76
66	WFYV	KQDQE	65-32-14	3	2.2	WFY800	0.7	100	100	Head (m)	17	16	14	13	12.5
67	WFYV	KQDQE	65-32-29	3	4	WFY800	0.7	100	100		35	33	29	27	26
68	WFYV	KQDQE	65-32-44	3	7.5	WFY800	0.7	100	100		53	49	44	41	39
69	WFYV	KQDQE	65-32-59	3	11	WFY800	0.7	100	100		70	65	59	53	50
70	WFYV	KQDQE	65-32-74	3	11	WFY800	0.7	100	100		89	82	74	69	65.5
71	WFYV	KQDQE	65-32-90	3	15	WFY800	0.7	100	100		107	99	90	84	80
72	WFYV	KQDQE	65-32-106	3	15	WFY800	0.7	100	100		124	115	106	98	93

Item	Type	Pump type		Qty.	Unit power (kW)	Model	Volume m <sup>3</sup>	Inlet DN	Outlet DN	Capacity (m <sup>3</sup> /h)	54	90	108
73	WFYV	KQDQE	80-45X2/2	3	5.5	WFY1000	1.5	150	150	Head (m)	33	26	18
74	WFYV	KQDQE	80-45X2	3	7.5	WFY1000	1.5	150	150		42	35	27
75	WFYV	KQDQE	80-45X3/2	3	11	WFY1000	1.5	150	150		56	44	33
76	WFYV	KQDQE	80-45X3	3	11	WFY1000	1.5	150	150		65	53	42
77	WFYV	KQDQE	80-45X4/2	3	15	WFY1000	1.5	150	150		77	62	47
78	WFYV	KQDQE	80-45X4	3	15	WFY1000	1.5	150	150		86	71	56
79	WFYV	KQDQE	80-45X5/2	3	15	WFY1000	1.5	150	150		99	79	60



Main parts name			
Item	Inlet manifold	Item	Title
1	Inlet manifold	7	Expansion Tank(diagram is 12L)
2	Ball valve	8	pressure sensor(or electric contact pressure gauge)
3	Vertical multistage pump	9	control cabinet
4	Digital integrated frequency converter	10	leakage sensor
5	Check valve	11	Vacuum suppressor
6	Outlet manifold	12	Steady flow tank

5th generation Frequency conversion water supply equipment WFYV performance table(4BZ)

Item	Type	Vertical multistage pump				Stably flow tank		Parameters							
		Pump type		Qty.	Unit power (kW)	Model	Volume m <sup>3</sup>	Inlet DN	Outlet DN	Capacity (m <sup>3</sup> /h)	9	12	15	18	21
1	WFYV	KQDQE	32-5-50	4	1.5	WFY600	0.35	80	80	Head (m)	54	53	50	47	43
2	WFYV	KQDQE	32-5-58	4	1.5	WFY600	0.35	80	80		63	61	58	55	51
3	WFYV	KQDQE	32-5-66	4	2.2	WFY600	0.35	80	80		72	69	66	62	57
4	WFYV	KQDQE	32-5-73	4	2.2	WFY600	0.35	80	80		80	77	73	69	63
5	WFYV	KQDQE	32-5-81	4	2.2	WFY600	0.35	80	80		88	85	81	76	70
6	WFYV	KQDQE	32-5-88	4	2.2	WFY600	0.35	80	80		96	92	88	83	77
7	WFYV	KQDQE	32-5-95	4	3	WFY600	0.35	80	80		104	100	95	90	83
8	WFYV	KQDQE	32-5-103	4	3	WFY600	0.35	80	80		112	108	103	97	90
9	WFYV	KQDQE	32-5-111	4	3	WFY600	0.35	80	80		120	116	111	104	96
10	WFYV	KQDQE	32-5-119	4	3	WFY600	0.35	80	80		128	124	119	112	103
11	WFYV	KQDQE	32-5-127	4	3	WFY600	0.35	80	80		136	132	127	120	110
12	WFYV	KQDQE	32-5-134	4	4	WFY600	0.35	80	80		144	139	134	126	117

Item	Type	Pump type	Qty.	Unit power (kW)	Model	Volume m <sup>3</sup>	Inlet DN	Outlet DN	Capacity (m <sup>3</sup> /h)	15	21	24	27	30	
13	WFYV	KQDQE	40-8-34	4	1.5	WFY600	0.35	80	80	Head (m)	35	34.5	34	32	31
14	WFYV	KQDQE	40-8-46	4	2.2	WFY600	0.35	80	80		48	47	46	44	42
15	WFYV	KQDQE	40-8-57	4	2.2	WFY600	0.35	80	80		59	58	57	55	53
16	WFYV	KQDQE	40-8-69	4	3	WFY600	0.35	80	80		71	70	69	67	64
17	WFYV	KQDQE	40-8-81	4	3	WFY600	0.35	80	80		83	82	81	78	74
18	WFYV	KQDQE	40-8-93	4	4	WFY600	0.35	80	80		97	95	93	89	85
19	WFYV	KQDQE	40-8-105	4	4	WFY600	0.35	80	80		109	107	105	101	96
20	WFYV	KQDQE	40-8-118	4	5.5	WFY600	0.35	80	80		121	120	118	113	108
21	WFYV	KQDQE	40-8-130	4	5.5	WFY600	0.35	80	80		133	131	130	125	120

Item	Type	Pump type	Qty.	Unit power (kW)	Model	Volume m <sup>3</sup>	Inlet DN	Outlet DN	Capacity (m <sup>3</sup> /h)	18	24	30	33	36	
22	WFYV	KQDQE	40-10-32	4	1.5	WFY600	0.35	80	80	Head (m)	33	32.5	32	31	29
23	WFYV	KQDQE	40-10-43	4	2.2	WFY600	0.35	80	80		45	44	43	42	41
24	WFYV	KQDQE	40-10-54	4	2.2	WFY600	0.35	80	80		57	56	54	52	50
25	WFYV	KQDQE	40-10-65	4	3	WFY600	0.35	80	80		71	68	65	62	58
26	WFYV	KQDQE	40-10-76	4	4	WFY600	0.35	80	80		82	79	76	72	67
27	WFYV	KQDQE	40-10-87	4	4	WFY600	0.35	80	80		96	92	87	83	79
28	WFYV	KQDQE	40-10-98	4	4	WFY600	0.35	80	80		108	103	98	93	88
29	WFYV	KQDQE	40-10-110	4	5.5	WFY600	0.35	80	80		120	115	110	105	100
30	WFYV	KQDQE	40-10-122	4	5.5	WFY600	0.35	80	80		132	127	122	116	110
31	WFYV	KQDQE	40-10-133	4	5.5	WFY600	0.35	80	80		144	139	133	127	120

Item	Type	Pump type	Qty.	Unit power (kW)	Model	Volume m <sup>3</sup>	Inlet DN	Outlet DN	Capacity (m <sup>3</sup> /h)	21	27	36	42	45	
32	WFYV	KQDQE	50-12-25	4	1.5	WFY800	0.7	100	100	Head (m)	28	27	25	23	21
33	WFYV	KQDQE	50-12-39	4	2.2	WFY800	0.7	100	100		43	42	39	35	32
34	WFYV	KQDQE	50-12-53	4	3	WFY800	0.7	100	100		59	57	53	48	44
35	WFYV	KQDQE	50-12-67	4	4	WFY800	0.7	100	100		74	72	67	61	57
36	WFYV	KQDQE	50-12-80	4	5.5	WFY800	0.7	100	100		89	87	80	74	68
37	WFYV	KQDQE	50-12-94	4	5.5	WFY800	0.7	100	100		104	102	94	86	80
38	WFYV	KQDQE	50-12-107	4	7.5	WFY800	0.7	100	100		119	117	107	98	92
39	WFYV	KQDQE	50-12-121	4	7.5	WFY800	0.7	100	100		133	130	121	110	104
40	WFYV	KQDQE	50-12-136	4	7.5	WFY800	0.7	100	100		149	146	136	123	115

**5th generation Frequency conversion water supply equipment WFYV performance table(4BZ)**

Item	Type	Vertical multistage pump			Stably flow tank		Parameters								
		Pump type	Qty.	Unit power (kW)	Model	Volume m <sup>3</sup>	Inlet DN	Outlet DN	Capacity (m <sup>3</sup> /h)	27	33	45	51	57	
41	WFYV	KQDQE	50-15-29	4	2.2	WFY800	0.7	100	100	Head (m)	30.5	29.5	29	27	26
42	WFYV	KQDQE	50-15-43	4	3	WFY800	0.7	100	100		46	45	43	41	39
43	WFYV	KQDQE	50-15-58	4	4	WFY800	0.7	100	100		61	60	58	55	52
44	WFYV	KQDQE	50-15-72	4	5.5	WFY800	0.7	100	100		76	75	72	68	65
45	WFYV	KQDQE	50-15-87	4	7.5	WFY800	0.7	100	100		92	90	87	83	79
46	WFYV	KQDQE	50-15-102	4	7.5	WFY800	0.7	100	100		108	106	102	98	93
47	WFYV	KQDQE	50-15-117	4	11	WFY800	0.7	100	100		125	122	117	113	109
48	WFYV	KQDQE	50-15-133	4	11	WFY800	0.7	100	100		141	138	133	128	122

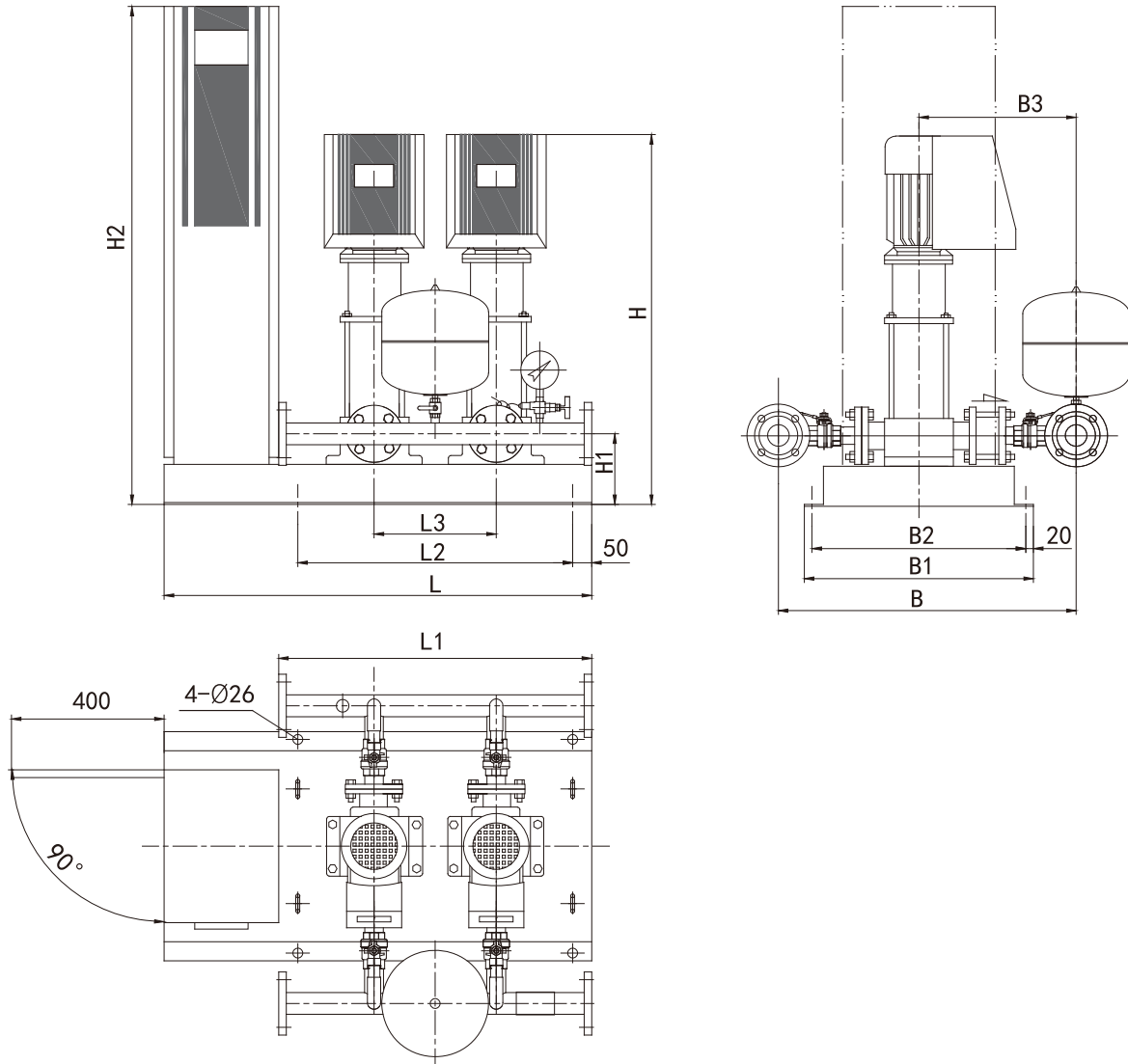
Item	Type	Pump type	Qty.	Unit power (kW)	Model	Volume m <sup>3</sup>	Inlet DN	Outlet DN	Capacity (m <sup>3</sup> /h)	30	39	48	54	60	
49	WFYV	KQDQE	50-16-28	4	2.2	WFY800	0.7	100	100	Head (m)	30	29	28	26	25
50	WFYV	KQDQE	50-16-42	4	3	WFY800	0.7	100	100		45	44	42	40	38
51	WFYV	KQDQE	50-16-57	4	4	WFY800	0.7	100	100		60	59	57	54	51
52	WFYV	KQDQE	50-16-71	4	5.5	WFY800	0.7	100	100		75	74	71	67	64
53	WFYV	KQDQE	50-16-86	4	7.5	WFY800	0.7	100	100		91	89	86	82	78
54	WFYV	KQDQE	50-16-100	4	7.5	WFY800	0.7	100	100		107	104	100	96	92
55	WFYV	KQDQE	50-16-115	4	11	WFY800	0.7	100	100		123	120	115	111	106
56	WFYV	KQDQE	50-16-130	4	11	WFY800	0.7	100	100		140	136	130	125	120

Item	Type	Pump type	Qty.	Unit power (kW)	Model	Volume m <sup>3</sup>	Inlet DN	Outlet DN	Capacity (m <sup>3</sup> /h)	36	45	60	66	72	
57	WFYV	KQDQE	50-20-14	4	1.5	WFY800	0.7	100	100	Head (m)	16	15	14	13	12
58	WFYV	KQDQE	50-20-28	4	3	WFY800	0.7	100	100		32	31	28	27	25
59	WFYV	KQDQE	50-20-43	4	4	WFY800	0.7	100	100		49	47	43	41	38
60	WFYV	KQDQE	50-20-58	4	5.5	WFY800	0.7	100	100		65	63	58	55	51
61	WFYV	KQDQE	50-20-74	4	7.5	WFY800	0.7	100	100		82	80	74	70	65
62	WFYV	KQDQE	50-20-90	4	11	WFY800	0.7	100	100		99	96	90	85	80
63	WFYV	KQDQE	50-20-105	4	11	WFY800	0.7	100	100		116	113	105	100	95
64	WFYV	KQDQE	50-20-120	4	11	WFY800	0.7	100	100		133	129	120	115	108
65	WFYV	KQDQE	50-20-135	4	15	WFY800	0.7	100	100	150	145	135	129	122	

Item	Type	Pump type	Qty.	Unit power (kW)	Model	Volume m <sup>3</sup>	Inlet DN	Outlet DN	Capacity (m <sup>3</sup> /h)	57	78	96	108	114	
66	WFYV	KQDQE	65-32-14	4	2.2	WFY800	0.7	150	150	Head (m)	17	16	14	13	12.5
67	WFYV	KQDQE	65-32-29	4	4	WFY800	0.7	150	150		35	33	29	27	26
68	WFYV	KQDQE	65-32-44	4	7.5	WFY800	0.7	150	150		53	49	44	41	39
69	WFYV	KQDQE	65-32-59	4	11	WFY800	0.7	150	150		70	65	59	53	50
70	WFYV	KQDQE	65-32-74	4	11	WFY800	0.7	150	150		89	82	74	69	65.5
71	WFYV	KQDQE	65-32-90	4	15	WFY800	0.7	150	150		107	99	90	84	80
72	WFYV	KQDQE	65-32-106	4	15	WFY800	0.7	150	150		124	115	106	98	93

Item	Type	Pump type	Qty.	Unit power (kW)	Model	Volume m <sup>3</sup>	Inlet DN	Outlet DN	Capacity (m <sup>3</sup> /h)	81	135	162	
73	WFYV	KQDQE	80-45X2/2	4	5.5	WFY1000	1.5	200	200	Head (m)	33	26	18
74	WFYV	KQDQE	80-45X2	4	7.5	WFY1000	1.5	200	200		42	35	27
75	WFYV	KQDQE	80-45X3/2	4	11	WFY1000	1.5	200	200		56	44	33
76	WFYV	KQDQE	80-45X3	4	11	WFY1000	1.5	200	200		65	53	42
77	WFYV	KQDQE	80-45X4/2	4	15	WFY1000	1.5	200	200		77	62	47
78	WFYV	KQDQE	80-45X4	4	15	WFY1000	1.5	200	200		86	71	56
79	WFYV	KQDQE	80-45X5/2	4	15	WFY1000	1.5	200	200		99	79	60

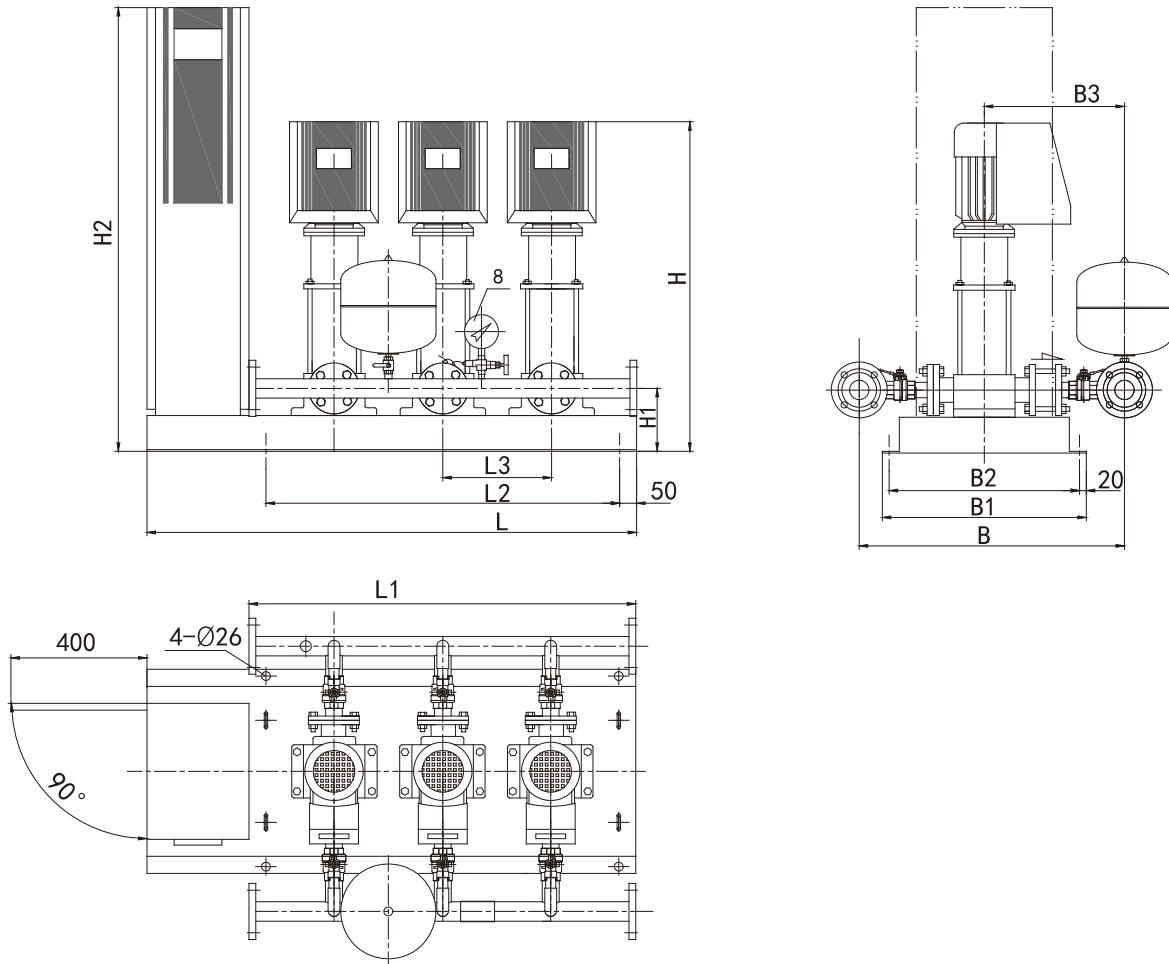
## KQGV diagram and main parts



5th generation Frequency conversion water supply equipment KQGV dimension table(2BZ)															
Item	Type	Vertical multistage pump			Outline and installation dimension(mm)										
		Pump type	Qty.	L	L1	L2	L3	B	B1	B2	B3	H	H1	H2	
1	KQGV	KQDQE	32-5-50	2	1120	820	720	320	940	600	560	490	858	183	1305
2	KQGV	KQDQE	32-5-58	2	1120	820	720	320	940	600	560	490	885	183	1305
3	KQGV	KQDQE	32-5-66	2	1120	820	720	320	940	600	560	490	912	183	1305
4	KQGV	KQDQE	32-5-73	2	1120	820	720	320	940	600	560	490	939	183	1305
5	KQGV	KQDQE	32-5-81	2	1120	820	720	320	940	600	560	490	966	183	1305
6	KQGV	KQDQE	32-5-88	2	1120	820	720	320	940	600	560	490	993	183	1305
7	KQGV	KQDQE	32-5-95	2	1120	820	720	320	940	600	560	490	1055	183	1305
8	KQGV	KQDQE	32-5-103	2	1120	820	720	320	940	600	560	490	1082	183	1305
9	KQGV	KQDQE	32-5-111	2	1120	820	720	320	940	600	560	490	1109	183	1305
10	KQGV	KQDQE	32-5-119	2	1120	820	720	320	940	600	560	490	1136	183	1305
11	KQGV	KQDQE	32-5-127	2	1120	820	720	320	940	600	560	490	1163	183	1305
12	KQGV	KQDQE	32-5-134	2	1120	820	720	320	940	600	560	490	1220	183	1305
13	KQGV	KQDQE	40-8-34	2	1120	820	720	320	780	600	560	410	811	188	1305
14	KQGV	KQDQE	40-8-46	2	1120	820	720	320	780	600	560	410	841	188	1305
15	KQGV	KQDQE	40-8-57	2	1120	820	720	320	780	600	560	410	871	188	1305
16	KQGV	KQDQE	40-8-69	2	1120	820	720	320	780	600	560	410	936	188	1305
17	KQGV	KQDQE	40-8-81	2	1120	820	720	320	780	600	560	410	966	188	1305
18	KQGV	KQDQE	40-8-93	2	1120	820	720	320	780	600	560	410	1026	188	1305
19	KQGV	KQDQE	40-8-105	2	1120	820	720	320	780	600	560	410	1056	188	1305
20	KQGV	KQDQE	40-8-118	2	1220	920	820	420	780	600	560	410	1191	188	1305
21	KQGV	KQDQE	40-8-130	2	1220	920	820	420	780	600	560	410	1221	188	1305
22	KQGV	KQDQE	40-10-32	2	1120	820	720	320	780	600	560	410	811	188	1305
23	KQGV	KQDQE	40-10-43	2	1120	820	720	320	780	600	560	410	841	188	1305
24	KQGV	KQDQE	40-10-54	2	1120	820	720	320	780	600	560	410	871	188	1305
25	KQGV	KQDQE	40-10-65	2	1120	820	720	320	780	600	560	410	936	188	1305
26	KQGV	KQDQE	40-10-76	2	1120	820	720	320	780	600	560	410	996	188	1305
27	KQGV	KQDQE	40-10-87	2	1120	820	720	320	780	600	560	410	1026	188	1305
28	KQGV	KQDQE	40-10-98	2	1120	820	720	320	780	600	560	410	1056	188	1305
29	KQGV	KQDQE	40-10-110	2	1220	920	820	420	780	600	560	410	1191	188	1305
30	KQGV	KQDQE	40-10-122	2	1220	920	820	420	780	600	560	410	1221	188	1305
31	KQGV	KQDQE	40-10-133	2	1220	920	820	420	780	600	560	410	1251	188	1305
32	KQGV	KQDQE	50-12-25	2	1120	820	720	320	845	600	560	445	791	198	1305
33	KQGV	KQDQE	50-12-39	2	1120	820	720	320	845	600	560	445	821	198	1305
34	KQGV	KQDQE	50-12-53	2	1120	820	720	320	845	600	560	445	886	198	1305
35	KQGV	KQDQE	50-12-67	2	1120	820	720	320	845	600	560	445	946	198	1305
36	KQGV	KQDQE	50-12-80	2	1220	920	820	420	845	600	560	445	1081	198	1305
37	KQGV	KQDQE	50-12-94	2	1220	920	820	420	845	600	560	445	1111	198	1305
38	KQGV	KQDQE	50-12-107	2	1220	920	820	420	845	600	560	445	1141	198	1305
39	KQGV	KQDQE	50-12-121	2	1220	920	820	420	845	600	560	445	1171	198	1305
40	KQGV	KQDQE	50-12-136	2	1220	920	820	420	845	600	560	445	1201	198	1305

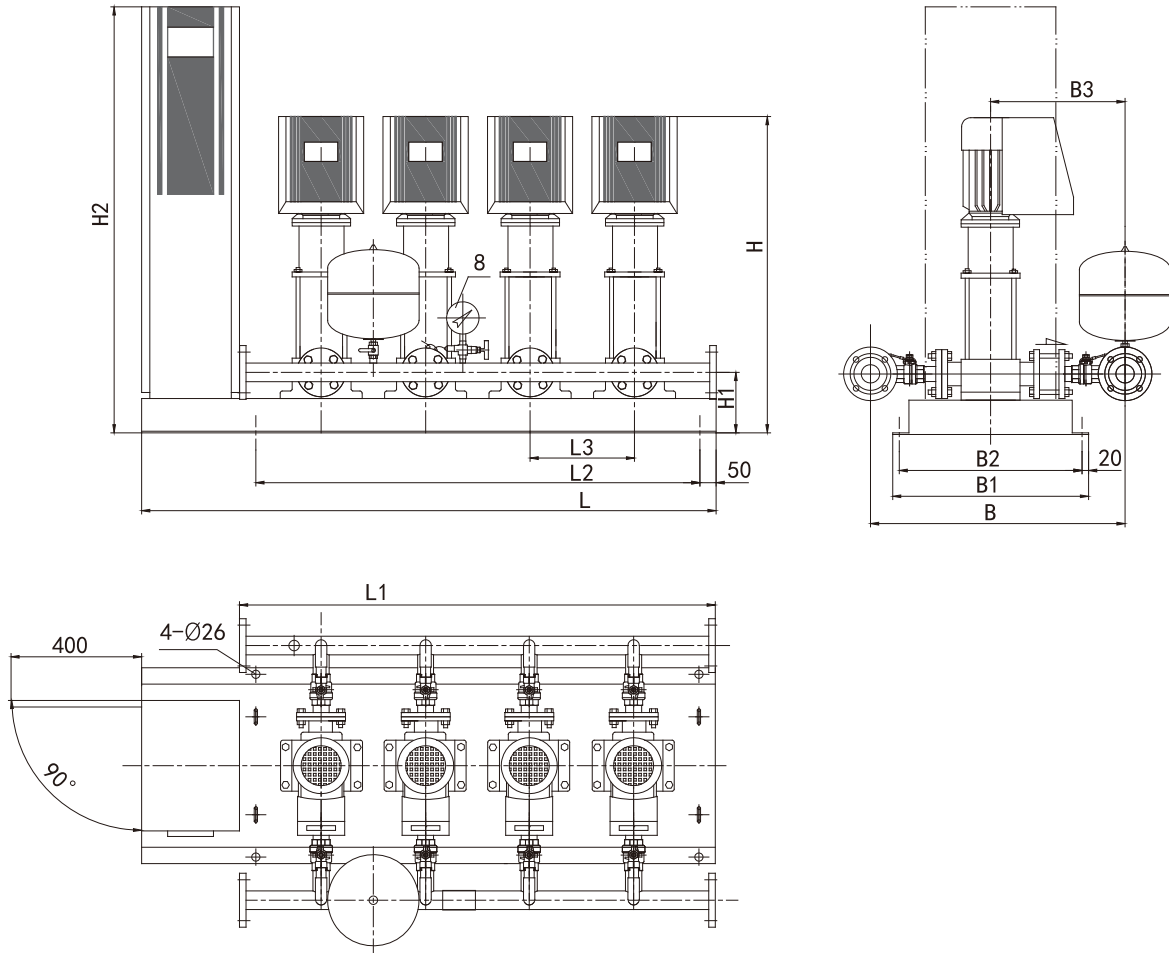


5th generation Frequency conversion water supply equipment KQGV dimension table(2BZ)															
Item	Type	Vertical multistage pump			Outline and installation dimension(mm)										
		Pump type		Qty.	L	L1	L2	L3	B	B1	B2	B3	H	H1	H2
41	KQGV	KQDQE	50-15-29	2	1120	820	720	320	845	600	560	445	821	198	1305
42	KQGV	KQDQE	50-15-43	2	1120	820	720	320	845	600	560	445	901	198	1305
43	KQGV	KQDQE	50-15-58	2	1120	820	720	320	845	600	560	445	976	198	1305
44	KQGV	KQDQE	50-15-72	2	1220	920	820	420	845	600	560	445	1126	198	1305
45	KQGV	KQDQE	50-15-87	2	1220	920	820	420	845	600	560	445	1171	198	1305
46	KQGV	KQDQE	50-15-102	2	1220	920	820	420	845	600	560	445	1216	198	1305
47	KQGV	KQDQE	50-15-117	2	1220	920	820	420	845	600	560	445	1397	198	1305
48	KQGV	KQDQE	50-15-133	2	1220	920	820	420	845	600	560	445	1442	198	1305
49	KQGV	KQDQE	50-16-28	2	1120	820	720	320	845	600	560	445	821	198	1305
50	KQGV	KQDQE	50-16-42	2	1120	820	720	320	845	600	560	445	901	198	1305
51	KQGV	KQDQE	50-16-57	2	1120	820	720	320	845	600	560	445	976	198	1305
52	KQGV	KQDQE	50-16-71	2	1220	920	820	420	845	600	560	445	1126	198	1305
53	KQGV	KQDQE	50-16-86	2	1220	920	820	420	845	600	560	445	1171	198	1305
54	KQGV	KQDQE	50-16-100	2	1220	920	820	420	845	600	560	445	1216	198	1305
55	KQGV	KQDQE	50-16-115	2	1220	920	820	420	845	600	560	445	1397	198	1305
56	KQGV	KQDQE	50-16-130	2	1220	920	820	420	845	600	560	445	1442	198	1305
57	KQGV	KQDQE	50-20-14	2	1120	820	720	320	845	600	560	445	821	198	1305
58	KQGV	KQDQE	50-20-28	2	1120	820	720	320	845	600	560	445	856	198	1305
59	KQGV	KQDQE	50-20-43	2	1120	820	720	320	845	600	560	445	931	198	1305
60	KQGV	KQDQE	50-20-58	2	1220	920	820	420	845	600	560	445	1081	198	1305
61	KQGV	KQDQE	50-20-74	2	1220	920	820	420	845	600	560	445	1126	198	1305
62	KQGV	KQDQE	50-20-90	2	1220	920	820	420	845	600	560	445	1307	198	1305
63	KQGV	KQDQE	50-20-105	2	1220	920	820	420	845	600	560	445	1352	198	1305
64	KQGV	KQDQE	50-20-120	2	1220	920	820	420	845	600	560	445	1397	198	1305
65	KQGV	KQDQE	50-20-135	2	1220	920	820	420	845	600	560	445	1442	198	1305
66	KQGV	KQDQE	65-32-14	2	1220	920	820	420	980	600	560	520	822	213	1305
67	KQGV	KQDQE	65-32-29	2	1220	920	820	420	980	600	560	520	931	213	1305
68	KQGV	KQDQE	65-32-44	2	1220	920	820	420	980	600	560	520	1140	213	1305
69	KQGV	KQDQE	65-32-59	2	1220	920	820	420	980	600	560	520	1319	213	1305
70	KQGV	KQDQE	65-32-74	2	1220	920	820	420	980	600	560	520	1463	213	1305
71	KQGV	KQDQE	65-32-90	2	1220	920	820	420	980	600	560	520	1517	213	1305
72	KQGV	KQDQE	65-32-106	2	1220	920	820	420	980	600	560	520	1571	213	1305
73	KQGV	KQDQE	80-45X2/2	2	1220	920	820	420	1105	600	560	585	1156	248	1305
74	KQGV	KQDQE	80-45X2	2	1220	920	820	420	1105	600	560	585	1156	248	1305
75	KQGV	KQDQE	80-45X3/2	2	1220	920	820	420	1105	600	560	585	1441	248	1305
76	KQGV	KQDQE	80-45X3	2	1220	920	820	420	1105	600	560	585	1441	248	1305
77	KQGV	KQDQE	80-45X4/2	2	1220	920	820	420	1105	600	560	585	1521	248	1305
78	KQGV	KQDQE	80-45X4	2	1220	920	820	420	1105	600	560	585	1521	248	1305
79	KQGV	KQDQE	80-45X5/2	2	1220	920	820	420	1105	600	560	585	1601	248	1305



5th generation Frequency conversion water supply equipment KQGV dimension table(3BZ)															
Item	Type	Vertical multistage pump			Outline and installation dimension(mm)										
		Pump type	Qty.	L	L1	L2	L3	B	B1	B2	B3	H	H1	H2	
1	KQGV	KQDQE	32-5-50	3	1440	1140	1040	320	960	600	560	500	858	183	1305
2	KQGV	KQDQE	32-5-58	3	1440	1140	1040	320	960	600	560	500	885	183	1305
3	KQGV	KQDQE	32-5-66	3	1440	1140	1040	320	960	600	560	500	912	183	1305
4	KQGV	KQDQE	32-5-73	3	1440	1140	1040	320	960	600	560	500	939	183	1305
5	KQGV	KQDQE	32-5-81	3	1440	1140	1040	320	960	600	560	500	966	183	1305
6	KQGV	KQDQE	32-5-88	3	1440	1140	1040	320	960	600	560	500	993	183	1305
7	KQGV	KQDQE	32-5-95	3	1440	1140	1040	320	960	600	560	500	1055	183	1305
8	KQGV	KQDQE	32-5-103	3	1440	1140	1040	320	960	600	560	500	1082	183	1305
9	KQGV	KQDQE	32-5-111	3	1440	1140	1040	320	960	600	560	500	1109	183	1305
10	KQGV	KQDQE	32-5-119	3	1440	1140	1040	320	960	600	560	500	1136	183	1305
11	KQGV	KQDQE	32-5-127	3	1440	1140	1040	320	960	600	560	500	1163	183	1305
12	KQGV	KQDQE	32-5-134	3	1440	1140	1040	320	960	600	560	500	1220	183	1305
13	KQGV	KQDQE	40-8-34	3	1440	1140	1040	320	800	600	560	420	811	188	1305
14	KQGV	KQDQE	40-8-46	3	1440	1140	1040	320	800	600	560	420	841	188	1305
15	KQGV	KQDQE	40-8-57	3	1440	1140	1040	320	800	600	560	420	871	188	1305
16	KQGV	KQDQE	40-8-69	3	1440	1140	1040	320	800	600	560	420	936	188	1305
17	KQGV	KQDQE	40-8-81	3	1440	1140	1040	320	800	600	560	420	966	188	1305
18	KQGV	KQDQE	40-8-93	3	1440	1140	1040	320	800	600	560	420	1026	188	1305
19	KQGV	KQDQE	40-8-105	3	1440	1140	1040	320	800	600	560	420	1056	188	1305
20	KQGV	KQDQE	40-8-118	3	1640	1340	1240	420	800	600	560	420	1191	188	1305
21	KQGV	KQDQE	40-8-130	3	1640	1340	1240	420	800	600	560	420	1221	188	1305
22	KQGV	KQDQE	40-10-32	3	1440	1140	1040	320	800	600	560	420	811	188	1305
23	KQGV	KQDQE	40-10-43	3	1440	1140	1040	320	800	600	560	420	841	188	1305
24	KQGV	KQDQE	40-10-54	3	1440	1140	1040	320	800	600	560	420	871	188	1305
25	KQGV	KQDQE	40-10-65	3	1440	1140	1040	320	800	600	560	420	936	188	1305
26	KQGV	KQDQE	40-10-76	3	1440	1140	1040	320	800	600	560	420	996	188	1305
27	KQGV	KQDQE	40-10-87	3	1440	1140	1040	320	800	600	560	420	1026	188	1305
28	KQGV	KQDQE	40-10-98	3	1440	1140	1040	320	800	600	560	420	1056	188	1305
29	KQGV	KQDQE	40-10-110	3	1640	1340	1240	420	800	600	560	420	1191	188	1305
30	KQGV	KQDQE	40-10-122	3	1640	1340	1240	420	800	600	560	420	1221	188	1305
31	KQGV	KQDQE	40-10-133	3	1640	1340	1240	420	800	600	560	420	1251	188	1305
32	KQGV	KQDQE	50-12-25	3	1440	1140	1040	320	860	600	560	455	791	198	1305
33	KQGV	KQDQE	50-12-39	3	1440	1140	1040	320	860	600	560	455	821	198	1305
34	KQGV	KQDQE	50-12-53	3	1440	1140	1040	320	860	600	560	455	886	198	1305
35	KQGV	KQDQE	50-12-67	3	1440	1140	1040	320	860	600	560	455	946	198	1305
36	KQGV	KQDQE	50-12-80	3	1640	1340	1240	420	860	600	560	455	1081	198	1305
37	KQGV	KQDQE	50-12-94	3	1640	1340	1240	420	860	600	560	455	1111	198	1305
38	KQGV	KQDQE	50-12-107	3	1640	1340	1240	420	860	600	560	455	1141	198	1305
39	KQGV	KQDQE	50-12-121	3	1640	1340	1240	420	860	600	560	455	1171	198	1305
40	KQGV	KQDQE	50-12-136	3	1640	1340	1240	420	860	600	560	455	1201	198	1305

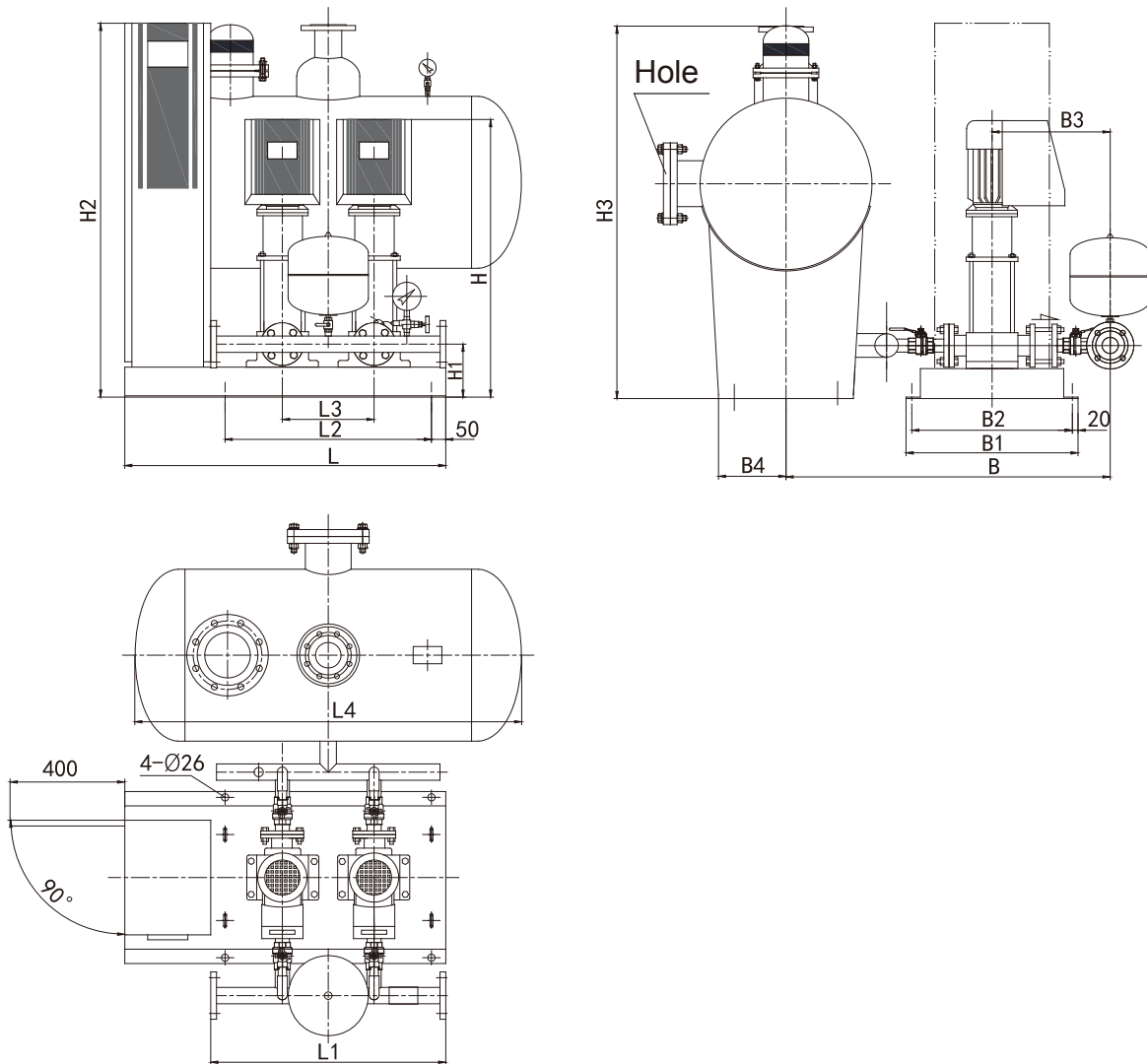
5th generation Frequency conversion water supply equipment KQGV dimension table(3BZ)															
Item	Type	Vertical multistage pump			Outline and installation dimension(mm)										
		Pump type	Qty.	L	L1	L2	L3	B	B1	B2	B3	H	H1	H2	
41	KQGV	KQDQE	50-15-29	3	1440	1140	1040	320	860	600	560	455	821	198	1305
42	KQGV	KQDQE	50-15-43	3	1440	1140	1040	320	860	600	560	455	901	198	1305
43	KQGV	KQDQE	50-15-58	3	1440	1140	1040	320	860	600	560	455	976	198	1305
44	KQGV	KQDQE	50-15-72	3	1640	1340	1240	420	860	600	560	455	1126	198	1305
45	KQGV	KQDQE	50-15-87	3	1640	1340	1240	420	860	600	560	455	1171	198	1305
46	KQGV	KQDQE	50-15-102	3	1640	1340	1240	420	860	600	560	455	1216	198	1305
47	KQGV	KQDQE	50-15-117	3	1640	1340	1240	420	860	600	560	455	1397	198	1305
48	KQGV	KQDQE	50-15-133	3	1640	1340	1240	420	860	600	560	455	1442	198	1305
49	KQGV	KQDQE	50-16-28	3	1440	1140	1040	320	860	600	560	455	821	198	1305
50	KQGV	KQDQE	50-16-42	3	1440	1140	1040	320	860	600	560	455	901	198	1305
51	KQGV	KQDQE	50-16-57	3	1440	1140	1040	320	860	600	560	455	976	198	1305
52	KQGV	KQDQE	50-16-71	3	1640	1340	1240	420	860	600	560	455	1126	198	1305
53	KQGV	KQDQE	50-16-86	3	1640	1340	1240	420	860	600	560	455	1171	198	1305
54	KQGV	KQDQE	50-16-100	3	1640	1340	1240	420	860	600	560	455	1216	198	1305
55	KQGV	KQDQE	50-16-115	3	1640	1340	1240	420	860	600	560	455	1397	198	1305
56	KQGV	KQDQE	50-16-130	3	1640	1340	1240	420	860	600	560	455	1442	198	1305
57	KQGV	KQDQE	50-20-14	3	1440	1140	1040	320	860	600	560	455	821	198	1305
58	KQGV	KQDQE	50-20-28	3	1440	1140	1040	320	860	600	560	455	856	198	1305
59	KQGV	KQDQE	50-20-43	3	1440	1140	1040	320	860	600	560	455	931	198	1305
60	KQGV	KQDQE	50-20-58	3	1640	1340	1240	420	860	600	560	455	1081	198	1305
61	KQGV	KQDQE	50-20-74	3	1640	1340	1240	420	860	600	560	455	1126	198	1305
62	KQGV	KQDQE	50-20-90	3	1640	1340	1240	420	860	600	560	455	1307	198	1305
63	KQGV	KQDQE	50-20-105	3	1640	1340	1240	420	860	600	560	455	1352	198	1305
64	KQGV	KQDQE	50-20-120	3	1640	1340	1240	420	860	600	560	455	1397	198	1305
65	KQGV	KQDQE	50-20-135	3	1640	1340	1240	420	860	600	560	455	1442	198	1305
66	KQGV	KQDQE	65-32-14	3	1640	1340	1240	420	1030	600	560	545	822	213	1305
67	KQGV	KQDQE	65-32-29	3	1640	1340	1240	420	1030	600	560	545	931	213	1305
68	KQGV	KQDQE	65-32-44	3	1640	1340	1240	420	1030	600	560	545	1140	213	1305
69	KQGV	KQDQE	65-32-59	3	1640	1340	1240	420	1030	600	560	545	1319	213	1305
70	KQGV	KQDQE	65-32-74	3	1640	1340	1240	420	1030	600	560	545	1463	213	1305
71	KQGV	KQDQE	65-32-90	3	1640	1340	1240	420	1030	600	560	545	1517	213	1305
72	KQGV	KQDQE	65-32-106	3	1640	1340	1240	420	1030	600	560	545	1571	213	1305
73	KQGV	KQDQE	80-45X2/2	3	1640	1340	1240	420	1105	600	560	585	1156	248	1305
74	KQGV	KQDQE	80-45X2	3	1640	1340	1240	420	1105	600	560	585	1156	248	1305
75	KQGV	KQDQE	80-45X3/2	3	1640	1340	1240	420	1105	600	560	585	1441	248	1305
76	KQGV	KQDQE	80-45X3	3	1640	1340	1240	420	1105	600	560	585	1441	248	1305
77	KQGV	KQDQE	80-45X4/2	3	1640	1340	1240	420	1105	600	560	585	1521	248	1305
78	KQGV	KQDQE	80-45X4	3	1640	1340	1240	420	1105	600	560	585	1521	248	1305
79	KQGV	KQDQE	80-45X5/2	3	1640	1340	1240	420	1105	600	560	585	1601	248	1305



5th generation Frequency conversion water supply equipment KQGV dimension table(4BZ)															
Item	Type	Vertical multistage pump			Outline and installation dimension(mm)										
		Pump type		Qty.	L	L1	L2	L3	B	B1	B2	B3	H	H1	H2
1	KQGV	KQDQE	32-5-50	4	1760	1460	1360	320	970	600	560	510	858	183	1305
2	KQGV	KQDQE	32-5-58	4	1760	1460	1360	320	970	600	560	510	885	183	1305
3	KQGV	KQDQE	32-5-66	4	1760	1460	1360	320	970	600	560	510	912	183	1305
4	KQGV	KQDQE	32-5-73	4	1760	1460	1360	320	970	600	560	510	939	183	1305
5	KQGV	KQDQE	32-5-81	4	1760	1460	1360	320	970	600	560	510	966	183	1305
6	KQGV	KQDQE	32-5-88	4	1760	1460	1360	320	970	600	560	510	993	183	1305
7	KQGV	KQDQE	32-5-95	4	1760	1460	1360	320	970	600	560	510	1055	183	1305
8	KQGV	KQDQE	32-5-103	4	1760	1460	1360	320	970	600	560	510	1082	183	1305
9	KQGV	KQDQE	32-5-111	4	1760	1460	1360	320	970	600	560	510	1109	183	1305
10	KQGV	KQDQE	32-5-119	4	1760	1460	1360	320	970	600	560	510	1136	183	1305
11	KQGV	KQDQE	32-5-127	4	1760	1460	1360	320	970	600	560	510	1163	183	1305
12	KQGV	KQDQE	32-5-134	4	1760	1460	1360	320	970	600	560	510	1220	183	1305
13	KQGV	KQDQE	40-8-34	4	1760	1460	1360	320	810	600	560	430	811	188	1305
14	KQGV	KQDQE	40-8-46	4	1760	1460	1360	320	810	600	560	430	841	188	1305
15	KQGV	KQDQE	40-8-57	4	1760	1460	1360	320	810	600	560	430	871	188	1305
16	KQGV	KQDQE	40-8-69	4	1760	1460	1360	320	810	600	560	430	936	188	1305
17	KQGV	KQDQE	40-8-81	4	1760	1460	1360	320	810	600	560	430	966	188	1305
18	KQGV	KQDQE	40-8-93	4	1760	1460	1360	320	810	600	560	430	1026	188	1305
19	KQGV	KQDQE	40-8-105	4	1760	1460	1360	320	810	600	560	430	1056	188	1305
20	KQGV	KQDQE	40-8-118	4	2060	1760	1660	420	810	600	560	430	1191	188	1305
21	KQGV	KQDQE	40-8-130	4	2060	1760	1660	420	810	600	560	430	1221	188	1305
22	KQGV	KQDQE	40-10-32	4	1760	1460	1360	320	810	600	560	430	811	188	1305
23	KQGV	KQDQE	40-10-43	4	1760	1460	1360	320	810	600	560	430	841	188	1305
24	KQGV	KQDQE	40-10-54	4	1760	1460	1360	320	810	600	560	430	871	188	1305
25	KQGV	KQDQE	40-10-65	4	1760	1460	1360	320	810	600	560	430	936	188	1305
26	KQGV	KQDQE	40-10-76	4	1760	1460	1360	320	810	600	560	430	996	188	1305
27	KQGV	KQDQE	40-10-87	4	1760	1460	1360	320	810	600	560	430	1026	188	1305
28	KQGV	KQDQE	40-10-98	4	1760	1460	1360	320	810	600	560	430	1056	188	1305
29	KQGV	KQDQE	40-10-110	4	2060	1760	1660	420	810	600	560	430	1191	188	1305
30	KQGV	KQDQE	40-10-122	4	2060	1760	1660	420	810	600	560	430	1221	188	1305
31	KQGV	KQDQE	40-10-133	4	2060	1760	1660	420	810	600	560	430	1251	188	1305
32	KQGV	KQDQE	50-12-25	4	1760	1460	1360	320	915	600	560	480	791	198	1305
33	KQGV	KQDQE	50-12-39	4	1760	1460	1360	320	915	600	560	480	821	198	1305
34	KQGV	KQDQE	50-12-53	4	1760	1460	1360	320	915	600	560	480	886	198	1305
35	KQGV	KQDQE	50-12-67	4	1760	1460	1360	320	915	600	560	480	946	198	1305
36	KQGV	KQDQE	50-12-80	4	2060	1760	1660	420	915	600	560	480	1081	198	1305
37	KQGV	KQDQE	50-12-94	4	2060	1760	1660	420	915	600	560	480	1111	198	1305
38	KQGV	KQDQE	50-12-107	4	2060	1760	1660	420	915	600	560	480	1141	198	1305
39	KQGV	KQDQE	50-12-121	4	2060	1760	1660	420	915	600	560	480	1171	198	1305
40	KQGV	KQDQE	50-12-136	4	2060	1760	1660	420	915	600	560	480	1201	198	1305

5th generation Frequency conversion water supply equipment KQGV dimension table(4BZ)															
Item	Type	Vertical multistage pump			Outline and installation dimension(mm)										
		Pump type		Qty.	L	L1	L2	L3	B	B1	B2	B3	H	H1	H2
41	KQGV	KQDQE	50-15-29	4	1760	1460	1360	320	915	600	560	480	821	198	1305
42	KQGV	KQDQE	50-15-43	4	1760	1460	1360	320	915	600	560	480	901	198	1305
43	KQGV	KQDQE	50-15-58	4	1760	1460	1360	320	915	600	560	480	976	198	1305
44	KQGV	KQDQE	50-15-72	4	2060	1760	1660	420	915	600	560	480	1126	198	1305
45	KQGV	KQDQE	50-15-87	4	2060	1760	1660	420	915	600	560	480	1171	198	1305
46	KQGV	KQDQE	50-15-102	4	2060	1760	1660	420	915	600	560	480	1216	198	1305
47	KQGV	KQDQE	50-15-117	4	2060	1760	1660	420	915	600	560	480	1397	198	1305
48	KQGV	KQDQE	50-15-133	4	2060	1760	1660	420	915	600	560	480	1442	198	1305
49	KQGV	KQDQE	50-16-28	4	1760	1460	1360	320	915	600	560	480	821	198	1305
50	KQGV	KQDQE	50-16-42	4	1760	1460	1360	320	915	600	560	480	901	198	1305
51	KQGV	KQDQE	50-16-57	4	1760	1460	1360	320	915	600	560	480	976	198	1305
52	KQGV	KQDQE	50-16-71	4	2060	1760	1660	420	915	600	560	480	1126	198	1305
53	KQGV	KQDQE	50-16-86	4	2060	1760	1660	420	915	600	560	480	1171	198	1305
54	KQGV	KQDQE	50-16-100	4	2060	1760	1660	420	915	600	560	480	1216	198	1305
55	KQGV	KQDQE	50-16-115	4	2060	1760	1660	420	915	600	560	480	1397	198	1305
56	KQGV	KQDQE	50-16-130	4	2060	1760	1660	420	915	600	560	480	1442	198	1305
57	KQGV	KQDQE	50-20-14	4	1760	1460	1360	320	915	600	560	480	821	198	1305
58	KQGV	KQDQE	50-20-28	4	1760	1460	1360	320	915	600	560	480	856	198	1305
59	KQGV	KQDQE	50-20-43	4	1760	1460	1360	320	915	600	560	480	931	198	1305
60	KQGV	KQDQE	50-20-58	4	2060	1760	1660	420	915	600	560	480	1081	198	1305
61	KQGV	KQDQE	50-20-74	4	2060	1760	1660	420	915	600	560	480	1126	198	1305
62	KQGV	KQDQE	50-20-90	4	2060	1760	1660	420	915	600	560	480	1307	198	1305
63	KQGV	KQDQE	50-20-105	4	2060	1760	1660	420	915	600	560	480	1352	198	1305
64	KQGV	KQDQE	50-20-120	4	2060	1760	1660	420	915	600	560	480	1397	198	1305
65	KQGV	KQDQE	50-20-135	4	2060	1760	1660	420	915	600	560	480	1442	198	1305
66	KQGV	KQDQE	65-32-14	4	2060	1760	1660	420	1030	600	560	545	822	213	1305
67	KQGV	KQDQE	65-32-29	4	2060	1760	1660	420	1030	600	560	545	931	213	1305
68	KQGV	KQDQE	65-32-44	4	2060	1760	1660	420	1030	600	560	545	1140	213	1305
69	KQGV	KQDQE	65-32-59	4	2060	1760	1660	420	1030	600	560	545	1319	213	1305
70	KQGV	KQDQE	65-32-74	4	2060	1760	1660	420	1030	600	560	545	1463	213	1305
71	KQGV	KQDQE	65-32-90	4	2060	1760	1660	420	1030	600	560	545	1517	213	1305
72	KQGV	KQDQE	65-32-106	4	2060	1760	1660	420	1030	600	560	545	1571	213	1305
73	KQGV	KQDQE	80-45X2/2	4	2060	1760	1660	420	1165	600	560	615	1156	248	1305
74	KQGV	KQDQE	80-45X2	4	2060	1760	1660	420	1165	600	560	615	1156	248	1305
75	KQGV	KQDQE	80-45X3/2	4	2060	1760	1660	420	1165	600	560	615	1441	248	1305
76	KQGV	KQDQE	80-45X3	4	2060	1760	1660	420	1165	600	560	615	1441	248	1305
77	KQGV	KQDQE	80-45X4/2	4	2060	1760	1660	420	1165	600	560	615	1521	248	1305
78	KQGV	KQDQE	80-45X4	4	2060	1760	1660	420	1165	600	560	615	1521	248	1305
79	KQGV	KQDQE	80-45X5/2	4	2060	1760	1660	420	1165	600	560	615	1601	248	1305

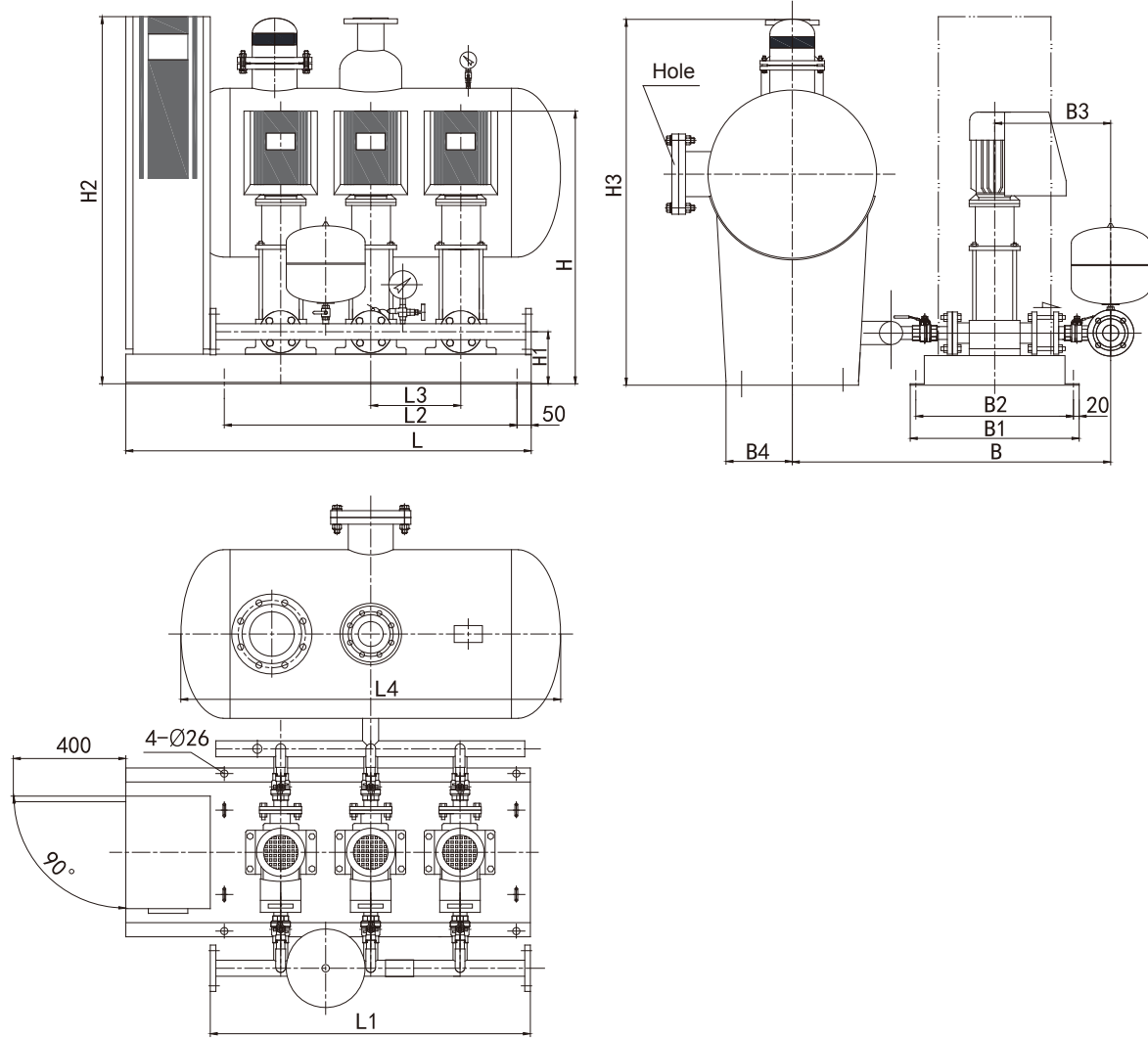
## KQGV diagram and main parts





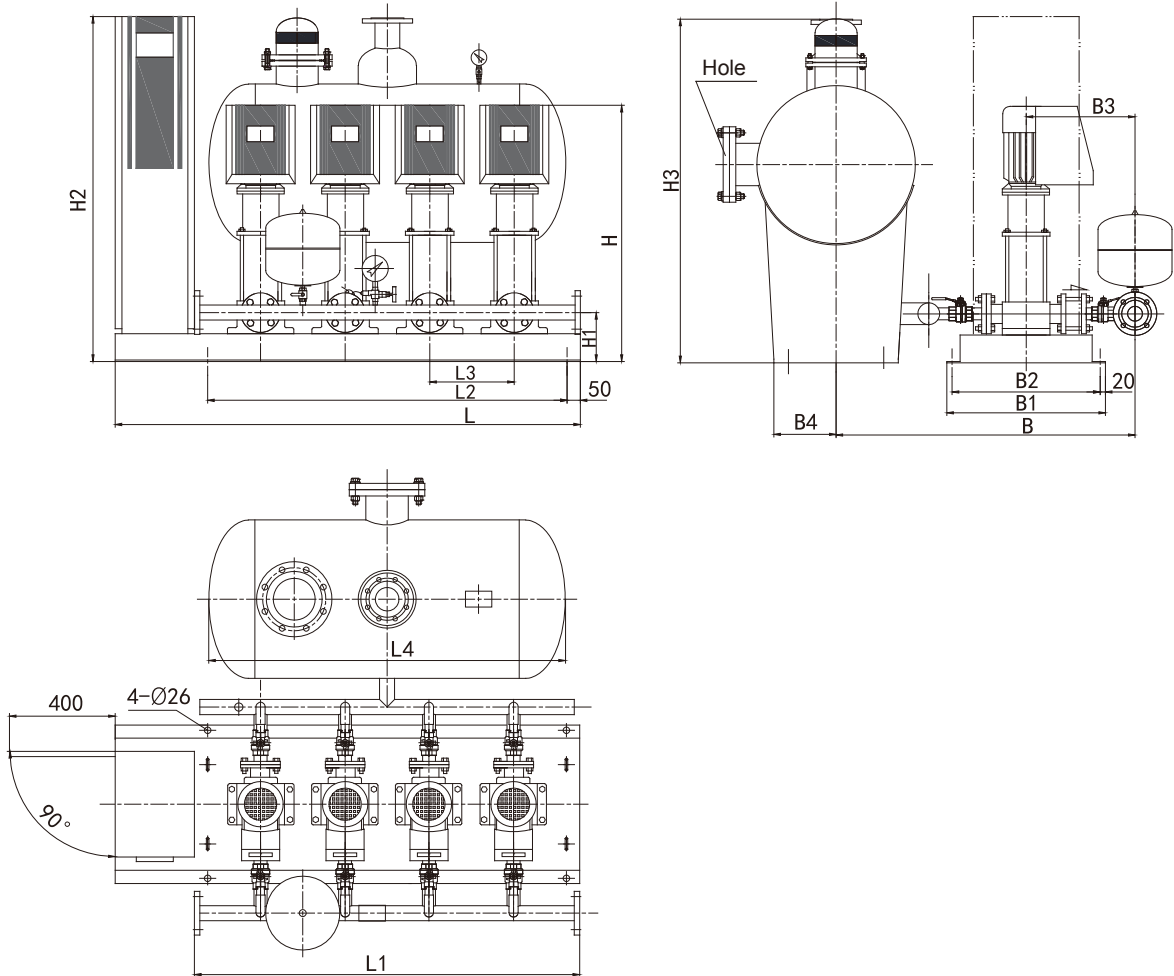
5th generation Frequency conversion water supply equipment KQGV dimension table(2BZ)																		
Item	Type	Vertical multistage pump			Outline and installation dimension(mm)													
		Pump type		Qty.	L	L1	L2	L3	L4	B	B1	B2	B3	B4	H	H1	H2	H3
1	WFYV	KQDQE	32-5-50	2	1120	820	720	320	1350	1510	600	560	490	240	858	183	1305	1330
2	WFYV	KQDQE	32-5-58	2	1120	820	720	320	1350	1510	600	560	490	240	885	183	1305	1330
3	WFYV	KQDQE	32-5-66	2	1120	820	720	320	1350	1510	600	560	490	240	912	183	1305	1330
4	WFYV	KQDQE	32-5-73	2	1120	820	720	320	1350	1510	600	560	490	240	939	183	1305	1330
5	WFYV	KQDQE	32-5-81	2	1120	820	720	320	1350	1510	600	560	490	240	966	183	1305	1330
6	WFYV	KQDQE	32-5-88	2	1120	820	720	320	1350	1510	600	560	490	240	993	183	1305	1330
7	WFYV	KQDQE	32-5-95	2	1120	820	720	320	1350	1510	600	560	490	240	1055	183	1305	1330
8	WFYV	KQDQE	32-5-103	2	1120	820	720	320	1350	1510	600	560	490	240	1082	183	1305	1330
9	WFYV	KQDQE	32-5-111	2	1120	820	720	320	1350	1510	600	560	490	240	1109	183	1305	1330
10	WFYV	KQDQE	32-5-119	2	1120	820	720	320	1350	1510	600	560	490	240	1136	183	1305	1330
11	WFYV	KQDQE	32-5-127	2	1120	820	720	320	1350	1510	600	560	490	240	1163	183	1305	1330
12	WFYV	KQDQE	32-5-134	2	1120	820	720	320	1350	1510	600	560	490	240	1220	183	1305	1330
13	WFYV	KQDQE	40-8-34	2	1120	820	720	320	1350	1350	600	560	410	240	811	188	1305	1330
14	WFYV	KQDQE	40-8-46	2	1120	820	720	320	1350	1350	600	560	410	240	841	188	1305	1330
15	WFYV	KQDQE	40-8-57	2	1120	820	720	320	1350	1350	600	560	410	240	871	188	1305	1330
16	WFYV	KQDQE	40-8-69	2	1120	820	720	320	1350	1350	600	560	410	240	936	188	1305	1330
17	WFYV	KQDQE	40-8-81	2	1120	820	720	320	1350	1350	600	560	410	240	966	188	1305	1330
18	WFYV	KQDQE	40-8-93	2	1120	820	720	320	1350	1350	600	560	410	240	1026	188	1305	1330
19	WFYV	KQDQE	40-8-105	2	1120	820	720	320	1350	1350	600	560	410	240	1056	188	1305	1330
20	WFYV	KQDQE	40-8-118	2	1220	920	820	420	1350	1350	600	560	410	240	1191	188	1305	1330
21	WFYV	KQDQE	40-8-130	2	1220	920	820	420	1350	1350	600	560	410	240	1221	188	1305	1330
22	WFYV	KQDQE	40-10-32	2	1120	820	720	320	1350	1350	600	560	410	240	811	188	1305	1330
23	WFYV	KQDQE	40-10-43	2	1120	820	720	320	1350	1350	600	560	410	240	841	188	1305	1330
24	WFYV	KQDQE	40-10-54	2	1120	820	720	320	1350	1350	600	560	410	240	871	188	1305	1330
25	WFYV	KQDQE	40-10-65	2	1120	820	720	320	1350	1350	600	560	410	240	936	188	1305	1330
26	WFYV	KQDQE	40-10-76	2	1120	820	720	320	1350	1350	600	560	410	240	996	188	1305	1330
27	WFYV	KQDQE	40-10-87	2	1120	820	720	320	1350	1350	600	560	410	240	1026	188	1305	1330
28	WFYV	KQDQE	40-10-98	2	1120	820	720	320	1350	1350	600	560	410	240	1056	188	1305	1330
29	WFYV	KQDQE	40-10-110	2	1220	920	820	420	1350	1350	600	560	410	240	1191	188	1305	1330
30	WFYV	KQDQE	40-10-122	2	1220	920	820	420	1350	1350	600	560	410	240	1221	188	1305	1330
31	WFYV	KQDQE	40-10-133	2	1220	920	820	420	1350	1350	600	560	410	240	1251	188	1305	1330
32	WFYV	KQDQE	50-12-25	2	1120	820	720	320	1670	1550	600	560	445	320	791	198	1305	1580
33	WFYV	KQDQE	50-12-39	2	1120	820	720	320	1670	1550	600	560	445	320	821	198	1305	1580
34	WFYV	KQDQE	50-12-53	2	1120	820	720	320	1670	1550	600	560	445	320	886	198	1305	1580
35	WFYV	KQDQE	50-12-67	2	1120	820	720	320	1670	1550	600	560	445	320	946	198	1305	1580
36	WFYV	KQDQE	50-12-80	2	1220	920	820	420	1670	1550	600	560	445	320	1081	198	1305	1580
37	WFYV	KQDQE	50-12-94	2	1220	920	820	420	1670	1550	600	560	445	320	1111	198	1305	1580
38	WFYV	KQDQE	50-12-107	2	1220	920	820	420	1670	1550	600	560	445	320	1141	198	1305	1580
39	WFYV	KQDQE	50-12-121	2	1220	920	820	420	1670	1550	600	560	445	320	1171	198	1305	1580
40	WFYV	KQDQE	50-12-136	2	1220	920	820	420	1670	1550	600	560	445	320	1201	198	1305	1580

5th generation Frequency conversion water supply equipment KQGV dimension table(2BZ)																		
Item	Type	Vertical multistage pump			Outline and installation dimension(mm)													
		Pump type	Qty.	L	L1	L2	L3	L4	B	B1	B2	B3	B4	H	H1	H2	H3	
41	WFYV	KQDQE	50-15-29	2	1120	820	720	320	1670	1550	600	560	445	320	821	198	1305	1580
42	WFYV	KQDQE	50-15-43	2	1120	820	720	320	1670	1550	600	560	445	320	901	198	1305	1580
43	WFYV	KQDQE	50-15-58	2	1120	820	720	320	1670	1550	600	560	445	320	976	198	1305	1580
44	WFYV	KQDQE	50-15-72	2	1220	920	820	420	1670	1550	600	560	445	320	1126	198	1305	1580
45	WFYV	KQDQE	50-15-87	2	1220	920	820	420	1670	1550	600	560	445	320	1171	198	1305	1580
46	WFYV	KQDQE	50-15-102	2	1220	920	820	420	1670	1550	600	560	445	320	1216	198	1305	1580
47	WFYV	KQDQE	50-15-117	2	1220	920	820	420	1670	1550	600	560	445	320	1397	198	1305	1580
48	WFYV	KQDQE	50-15-133	2	1220	920	820	420	1670	1550	600	560	445	320	1442	198	1305	1580
49	WFYV	KQDQE	50-16-28	2	1120	820	720	320	1670	1550	600	560	445	320	821	198	1305	1580
50	WFYV	KQDQE	50-16-42	2	1120	820	720	320	1670	1550	600	560	445	320	901	198	1305	1580
51	WFYV	KQDQE	50-16-57	2	1120	820	720	320	1670	1550	600	560	445	320	976	198	1305	1580
52	WFYV	KQDQE	50-16-71	2	1220	920	820	420	1670	1550	600	560	445	320	1126	198	1305	1580
53	WFYV	KQDQE	50-16-86	2	1220	920	820	420	1670	1550	600	560	445	320	1171	198	1305	1580
54	WFYV	KQDQE	50-16-100	2	1220	920	820	420	1670	1550	600	560	445	320	1216	198	1305	1580
55	WFYV	KQDQE	50-16-115	2	1220	920	820	420	1670	1550	600	560	445	320	1397	198	1305	1580
56	WFYV	KQDQE	50-16-130	2	1220	920	820	420	1670	1550	600	560	445	320	1442	198	1305	1580
57	WFYV	KQDQE	50-20-14	2	1120	820	720	320	1670	1550	600	560	445	320	821	198	1305	1580
58	WFYV	KQDQE	50-20-28	2	1120	820	720	320	1670	1550	600	560	445	320	856	198	1305	1580
59	WFYV	KQDQE	50-20-43	2	1120	820	720	320	1670	1550	600	560	445	320	931	198	1305	1580
60	WFYV	KQDQE	50-20-58	2	1220	920	820	420	1670	1550	600	560	445	320	1081	198	1305	1580
61	WFYV	KQDQE	50-20-74	2	1220	920	820	420	1670	1550	600	560	445	320	1126	198	1305	1580
62	WFYV	KQDQE	50-20-90	2	1220	920	820	420	1670	1550	600	560	445	320	1307	198	1305	1580
63	WFYV	KQDQE	50-20-105	2	1220	920	820	420	1670	1550	600	560	445	320	1352	198	1305	1580
64	WFYV	KQDQE	50-20-120	2	1220	920	820	420	1670	1550	600	560	445	320	1397	198	1305	1580
65	WFYV	KQDQE	50-20-135	2	1220	920	820	420	1670	1550	600	560	445	320	1442	198	1305	1580
66	WFYV	KQDQE	65-32-14	2	1220	920	820	420	1670	1685	600	560	520	320	822	213	1305	1580
67	WFYV	KQDQE	65-32-29	2	1220	920	820	420	1670	1685	600	560	520	320	931	213	1305	1580
68	WFYV	KQDQE	65-32-44	2	1220	920	820	420	1670	1685	600	560	520	320	1140	213	1305	1580
69	WFYV	KQDQE	65-32-59	2	1220	920	820	420	1670	1685	600	560	520	320	1319	213	1305	1580
70	WFYV	KQDQE	65-32-74	2	1220	920	820	420	1670	1685	600	560	520	320	1463	213	1305	1580
71	WFYV	KQDQE	65-32-90	2	1220	920	820	420	1670	1685	600	560	520	320	1517	213	1305	1580
72	WFYV	KQDQE	65-32-106	2	1220	920	820	420	1670	1685	600	560	520	320	1571	213	1305	1580
73	WFYV	KQDQE	80-45X2/2	2	1220	920	820	420	2050	1985	600	560	585	380	1156	248	1305	1880
74	WFYV	KQDQE	80-45X2	2	1220	920	820	420	2050	1985	600	560	585	380	1156	248	1305	1880
75	WFYV	KQDQE	80-45X3/2	2	1220	920	820	420	2050	1985	600	560	585	380	1441	248	1305	1880
76	WFYV	KQDQE	80-45X3	2	1220	920	820	420	2050	1985	600	560	585	380	1441	248	1305	1880
77	WFYV	KQDQE	80-45X4/2	2	1220	920	820	420	2050	1985	600	560	585	380	1521	248	1305	1880
78	WFYV	KQDQE	80-45X4	2	1220	920	820	420	2050	1985	600	560	585	380	1521	248	1305	1880
79	WFYV	KQDQE	80-45X5/2	2	1220	920	820	420	2050	1985	600	560	585	380	1601	248	1305	1880



5th generation Frequency conversion water supply equipment KQGV dimension table(3BZ)																		
Item	Type	Vertical multistage pump			Outline and installation dimension(mm)													
		Pump type	Qty.	L	L1	L2	L3	L4	B	B1	B2	B3	B4	H	H1	H2	H3	
1	WFYV	KQDQE	32-5-50	3	1440	1140	1040	320	1350	1530	600	560	500	240	858	183	1305	1330
2	WFYV	KQDQE	32-5-58	3	1440	1140	1040	320	1350	1530	600	560	500	240	885	183	1305	1330
3	WFYV	KQDQE	32-5-66	3	1440	1140	1040	320	1350	1530	600	560	500	240	912	183	1305	1330
4	WFYV	KQDQE	32-5-73	3	1440	1140	1040	320	1350	1530	600	560	500	240	939	183	1305	1330
5	WFYV	KQDQE	32-5-81	3	1440	1140	1040	320	1350	1530	600	560	500	240	966	183	1305	1330
6	WFYV	KQDQE	32-5-88	3	1440	1140	1040	320	1350	1530	600	560	500	240	993	183	1305	1330
7	WFYV	KQDQE	32-5-95	3	1440	1140	1040	320	1350	1530	600	560	500	240	1055	183	1305	1330
8	WFYV	KQDQE	32-5-103	3	1440	1140	1040	320	1350	1530	600	560	500	240	1082	183	1305	1330
9	WFYV	KQDQE	32-5-111	3	1440	1140	1040	320	1350	1530	600	560	500	240	1109	183	1305	1330
10	WFYV	KQDQE	32-5-119	3	1440	1140	1040	320	1350	1530	600	560	500	240	1136	183	1305	1330
11	WFYV	KQDQE	32-5-127	3	1440	1140	1040	320	1350	1530	600	560	500	240	1163	183	1305	1330
12	WFYV	KQDQE	32-5-134	3	1440	1140	1040	320	1350	1530	600	560	500	240	1220	183	1305	1330
13	WFYV	KQDQE	40-8-34	3	1440	1140	1040	320	1350	1370	600	560	420	240	811	188	1305	1330
14	WFYV	KQDQE	40-8-46	3	1440	1140	1040	320	1350	1370	600	560	420	240	841	188	1305	1330
15	WFYV	KQDQE	40-8-57	3	1440	1140	1040	320	1350	1370	600	560	420	240	871	188	1305	1330
16	WFYV	KQDQE	40-8-69	3	1440	1140	1040	320	1350	1370	600	560	420	240	936	188	1305	1330
17	WFYV	KQDQE	40-8-81	3	1440	1140	1040	320	1350	1370	600	560	420	240	966	188	1305	1330
18	WFYV	KQDQE	40-8-93	3	1440	1140	1040	320	1350	1370	600	560	420	240	1026	188	1305	1330
19	WFYV	KQDQE	40-8-105	3	1440	1140	1040	320	1350	1370	600	560	420	240	1056	188	1305	1330
20	WFYV	KQDQE	40-8-118	3	1640	1340	1240	420	1350	1370	600	560	420	240	1191	188	1305	1330
21	WFYV	KQDQE	40-8-130	3	1640	1340	1240	420	1350	1370	600	560	420	240	1221	188	1305	1330
22	WFYV	KQDQE	40-10-32	3	1440	1140	1040	320	1350	1370	600	560	420	240	811	188	1305	1330
23	WFYV	KQDQE	40-10-43	3	1440	1140	1040	320	1350	1370	600	560	420	240	841	188	1305	1330
24	WFYV	KQDQE	40-10-54	3	1440	1140	1040	320	1350	1370	600	560	420	240	871	188	1305	1330
25	WFYV	KQDQE	40-10-65	3	1440	1140	1040	320	1350	1370	600	560	420	240	936	188	1305	1330
26	WFYV	KQDQE	40-10-76	3	1440	1140	1040	320	1350	1370	600	560	420	240	996	188	1305	1330
27	WFYV	KQDQE	40-10-87	3	1440	1140	1040	320	1350	1370	600	560	420	240	1026	188	1305	1330
28	WFYV	KQDQE	40-10-98	3	1440	1140	1040	320	1350	1370	600	560	420	240	1056	188	1305	1330
29	WFYV	KQDQE	40-10-110	3	1640	1340	1240	420	1350	1370	600	560	420	240	1191	188	1305	1330
30	WFYV	KQDQE	40-10-122	3	1640	1340	1240	420	1350	1370	600	560	420	240	1221	188	1305	1330
31	WFYV	KQDQE	40-10-133	3	1640	1340	1240	420	1350	1370	600	560	420	240	1251	188	1305	1330
32	WFYV	KQDQE	50-12-25	3	1440	1140	1040	320	1670	1565	600	560	455	320	791	198	1305	1580
33	WFYV	KQDQE	50-12-39	3	1440	1140	1040	320	1670	1565	600	560	455	320	821	198	1305	1580
34	WFYV	KQDQE	50-12-53	3	1440	1140	1040	320	1670	1565	600	560	455	320	886	198	1305	1580
35	WFYV	KQDQE	50-12-67	3	1440	1140	1040	320	1670	1565	600	560	455	320	946	198	1305	1580
36	WFYV	KQDQE	50-12-80	3	1640	1340	1240	420	1670	1565	600	560	455	320	1081	198	1305	1580
37	WFYV	KQDQE	50-12-94	3	1640	1340	1240	420	1670	1565	600	560	455	320	1111	198	1305	1580
38	WFYV	KQDQE	50-12-107	3	1640	1340	1240	420	1670	1565	600	560	455	320	1141	198	1305	1580
39	WFYV	KQDQE	50-12-121	3	1640	1340	1240	420	1670	1565	600	560	455	320	1171	198	1305	1580
40	WFYV	KQDQE	50-12-136	3	1640	1340	1240	420	1670	1565	600	560	455	320	1201	198	1305	1580

5th generation Frequency conversion water supply equipment KQGV dimension table3BZ)																		
Item	Type	Vertical multistage pump			Outline and installation dimension(mm)													
		Pump type		Qty.	L	L1	L2	L3	L4	B	B1	B2	B3	B4	H	H1	H2	H3
41	WFYV	KQDQE	50-15-29	3	1440	1140	1040	320	1670	1565	600	560	455	320	821	198	1305	1580
42	WFYV	KQDQE	50-15-43	3	1440	1140	1040	320	1670	1565	600	560	455	320	901	198	1305	1580
43	WFYV	KQDQE	50-15-58	3	1440	1140	1040	320	1670	1565	600	560	455	320	976	198	1305	1580
44	WFYV	KQDQE	50-15-72	3	1640	1340	1240	420	1670	1565	600	560	455	320	1126	198	1305	1580
45	WFYV	KQDQE	50-15-87	3	1640	1340	1240	420	1670	1565	600	560	455	320	1171	198	1305	1580
46	WFYV	KQDQE	50-15-102	3	1640	1340	1240	420	1670	1565	600	560	455	320	1216	198	1305	1580
47	WFYV	KQDQE	50-15-117	3	1640	1340	1240	420	1670	1565	600	560	455	320	1397	198	1305	1580
48	WFYV	KQDQE	50-15-133	3	1640	1340	1240	420	1670	1565	600	560	455	320	1442	198	1305	1580
49	WFYV	KQDQE	50-16-28	3	1440	1140	1040	320	1670	1565	600	560	455	320	821	198	1305	1580
50	WFYV	KQDQE	50-16-42	3	1440	1140	1040	320	1670	1565	600	560	455	320	901	198	1305	1580
51	WFYV	KQDQE	50-16-57	3	1440	1140	1040	320	1670	1565	600	560	455	320	976	198	1305	1580
52	WFYV	KQDQE	50-16-71	3	1640	1340	1240	420	1670	1565	600	560	455	320	1126	198	1305	1580
53	WFYV	KQDQE	50-16-86	3	1640	1340	1240	420	1670	1565	600	560	455	320	1171	198	1305	1580
54	WFYV	KQDQE	50-16-100	3	1640	1340	1240	420	1670	1565	600	560	455	320	1216	198	1305	1580
55	WFYV	KQDQE	50-16-115	3	1640	1340	1240	420	1670	1565	600	560	455	320	1397	198	1305	1580
56	WFYV	KQDQE	50-16-130	3	1640	1340	1240	420	1670	1565	600	560	455	320	1442	198	1305	1580
57	WFYV	KQDQE	50-20-14	3	1440	1140	1040	320	1670	1565	600	560	455	320	821	198	1305	1580
58	WFYV	KQDQE	50-20-28	3	1440	1140	1040	320	1670	1565	600	560	455	320	856	198	1305	1580
59	WFYV	KQDQE	50-20-43	3	1440	1140	1040	320	1670	1565	600	560	455	320	931	198	1305	1580
60	WFYV	KQDQE	50-20-58	3	1640	1340	1240	420	1670	1565	600	560	455	320	1081	198	1305	1580
61	WFYV	KQDQE	50-20-74	3	1640	1340	1240	420	1670	1565	600	560	455	320	1126	198	1305	1580
62	WFYV	KQDQE	50-20-90	3	1640	1340	1240	420	1670	1565	600	560	455	320	1307	198	1305	1580
63	WFYV	KQDQE	50-20-105	3	1640	1340	1240	420	1670	1565	600	560	455	320	1352	198	1305	1580
64	WFYV	KQDQE	50-20-120	3	1640	1340	1240	420	1670	1565	600	560	455	320	1397	198	1305	1580
65	WFYV	KQDQE	50-20-135	3	1640	1340	1240	420	1670	1565	600	560	455	320	1442	198	1305	1580
66	WFYV	KQDQE	65-32-14	3	1640	1340	1240	420	1670	1735	600	560	545	320	822	213	1305	1580
67	WFYV	KQDQE	65-32-29	3	1640	1340	1240	420	1670	1735	600	560	545	320	931	213	1305	1580
68	WFYV	KQDQE	65-32-44	3	1640	1340	1240	420	1670	1735	600	560	545	320	1140	213	1305	1580
69	WFYV	KQDQE	65-32-59	3	1640	1340	1240	420	1670	1735	600	560	545	320	1319	213	1305	1580
70	WFYV	KQDQE	65-32-74	3	1640	1340	1240	420	1670	1735	600	560	545	320	1463	213	1305	1580
71	WFYV	KQDQE	65-32-90	3	1640	1340	1240	420	1670	1735	600	560	545	320	1517	213	1305	1580
72	WFYV	KQDQE	65-32-106	3	1640	1340	1240	420	1670	1735	600	560	545	320	1571	213	1305	1580
73	WFYV	KQDQE	80-45X2/2	3	1640	1340	1240	420	2050	1985	600	560	585	380	1156	248	1305	1880
74	WFYV	KQDQE	80-45X2	3	1640	1340	1240	420	2050	1985	600	560	585	380	1156	248	1305	1880
75	WFYV	KQDQE	80-45X3/2	3	1640	1340	1240	420	2050	1985	600	560	585	380	1441	248	1305	1880
76	WFYV	KQDQE	80-45X3	3	1640	1340	1240	420	2050	1985	600	560	585	380	1441	248	1305	1880
77	WFYV	KQDQE	80-45X4/2	3	1640	1340	1240	420	2050	1985	600	560	585	380	1521	248	1305	1880
78	WFYV	KQDQE	80-45X4	3	1640	1340	1240	420	2050	1985	600	560	585	380	1521	248	1305	1880
79	WFYV	KQDQE	80-45X5/2	3	1640	1340	1240	420	2050	1985	600	560	585	380	1601	248	1305	1880



5th generation Frequency conversion water supply equipment KQGV dimension table4BZ)																		
Item	Type	Vertical multistage pump			Outline and installation dimension(mm)													
		Pump type	Qty.	L	L1	L2	L3	L4	B	B1	B2	B3	B4	H	H1	H2	H3	
1	WFYV	KQDQE	32-5-50	4	1760	1460	1360	320	1350	1540	600	560	510	240	858	183	1305	1330
2	WFYV	KQDQE	32-5-58	4	1760	1460	1360	320	1350	1540	600	560	510	240	885	183	1305	1330
3	WFYV	KQDQE	32-5-66	4	1760	1460	1360	320	1350	1540	600	560	510	240	912	183	1305	1330
4	WFYV	KQDQE	32-5-73	4	1760	1460	1360	320	1350	1540	600	560	510	240	939	183	1305	1330
5	WFYV	KQDQE	32-5-81	4	1760	1460	1360	320	1350	1540	600	560	510	240	966	183	1305	1330
6	WFYV	KQDQE	32-5-88	4	1760	1460	1360	320	1350	1540	600	560	510	240	993	183	1305	1330
7	WFYV	KQDQE	32-5-95	4	1760	1460	1360	320	1350	1540	600	560	510	240	1055	183	1305	1330
8	WFYV	KQDQE	32-5-103	4	1760	1460	1360	320	1350	1540	600	560	510	240	1082	183	1305	1330
9	WFYV	KQDQE	32-5-111	4	1760	1460	1360	320	1350	1540	600	560	510	240	1109	183	1305	1330
10	WFYV	KQDQE	32-5-119	4	1760	1460	1360	320	1350	1540	600	560	510	240	1136	183	1305	1330
11	WFYV	KQDQE	32-5-127	4	1760	1460	1360	320	1350	1540	600	560	510	240	1163	183	1305	1330
12	WFYV	KQDQE	32-5-134	4	1760	1460	1360	320	1350	1540	600	560	510	240	1220	183	1305	1330
13	WFYV	KQDQE	40-8-34	4	1760	1460	1360	320	1350	1380	600	560	430	240	811	188	1305	1330
14	WFYV	KQDQE	40-8-46	4	1760	1460	1360	320	1350	1380	600	560	430	240	841	188	1305	1330
15	WFYV	KQDQE	40-8-57	4	1760	1460	1360	320	1350	1380	600	560	430	240	871	188	1305	1330
16	WFYV	KQDQE	40-8-69	4	1760	1460	1360	320	1350	1380	600	560	430	240	936	188	1305	1330
17	WFYV	KQDQE	40-8-81	4	1760	1460	1360	320	1350	1380	600	560	430	240	966	188	1305	1330
18	WFYV	KQDQE	40-8-93	4	1760	1460	1360	320	1350	1380	600	560	430	240	1026	188	1305	1330
19	WFYV	KQDQE	40-8-105	4	1760	1460	1360	320	1350	1380	600	560	430	240	1056	188	1305	1330
20	WFYV	KQDQE	40-8-118	4	2060	1760	1660	420	1350	1380	600	560	430	240	1191	188	1305	1330
21	WFYV	KQDQE	40-8-130	4	2060	1760	1660	420	1350	1380	600	560	430	240	1221	188	1305	1330
22	WFYV	KQDQE	40-10-32	4	1760	1460	1360	320	1350	1380	600	560	430	240	811	188	1305	1330
23	WFYV	KQDQE	40-10-43	4	1760	1460	1360	320	1350	1380	600	560	430	240	841	188	1305	1330
24	WFYV	KQDQE	40-10-54	4	1760	1460	1360	320	1350	1380	600	560	430	240	871	188	1305	1330
25	WFYV	KQDQE	40-10-65	4	1760	1460	1360	320	1350	1380	600	560	430	240	936	188	1305	1330
26	WFYV	KQDQE	40-10-76	4	1760	1460	1360	320	1350	1380	600	560	430	240	996	188	1305	1330
27	WFYV	KQDQE	40-10-87	4	1760	1460	1360	320	1350	1380	600	560	430	240	1026	188	1305	1330
28	WFYV	KQDQE	40-10-98	4	1760	1460	1360	320	1350	1380	600	560	430	240	1056	188	1305	1330
29	WFYV	KQDQE	40-10-110	4	2060	1760	1660	420	1350	1380	600	560	430	240	1191	188	1305	1330
30	WFYV	KQDQE	40-10-122	4	2060	1760	1660	420	1350	1380	600	560	430	240	1221	188	1305	1330
31	WFYV	KQDQE	40-10-133	4	2060	1760	1660	420	1350	1380	600	560	430	240	1251	188	1305	1330
32	WFYV	KQDQE	50-12-25	4	1760	1460	1360	320	1670	1620	600	560	480	320	791	198	1305	1580
33	WFYV	KQDQE	50-12-39	4	1760	1460	1360	320	1670	1620	600	560	480	320	821	198	1305	1580
34	WFYV	KQDQE	50-12-53	4	1760	1460	1360	320	1670	1620	600	560	480	320	886	198	1305	1580
35	WFYV	KQDQE	50-12-67	4	1760	1460	1360	320	1670	1620	600	560	480	320	946	198	1305	1580
36	WFYV	KQDQE	50-12-80	4	2060	1760	1660	420	1670	1620	600	560	480	320	1081	198	1305	1580
37	WFYV	KQDQE	50-12-94	4	2060	1760	1660	420	1670	1620	600	560	480	320	1111	198	1305	1580
38	WFYV	KQDQE	50-12-107	4	2060	1760	1660	420	1670	1620	600	560	480	320	1141	198	1305	1580
39	WFYV	KQDQE	50-12-121	4	2060	1760	1660	420	1670	1620	600	560	480	320	1171	198	1305	1580
40	WFYV	KQDQE	50-12-136	4	2060	1760	1660	420	1670	1620	600	560	480	320	1201	198	1305	1580

5th generation Frequency conversion water supply equipment KQGV dimension table(4BZ)																		
Item	Type	Vertical multistage pump			Outline and installation dimension(mm)													
		Pump type	Qty.		L	L1	L2	L3	L4	B	B1	B2	B3	B4	H	H1	H2	H3
41	WFYV	KQDQE	50-15-29	4	1760	1460	1360	320	1670	1620	600	560	480	320	821	198	1305	1580
42	WFYV	KQDQE	50-15-43	4	1760	1460	1360	320	1670	1620	600	560	480	320	901	198	1305	1580
43	WFYV	KQDQE	50-15-58	4	1760	1460	1360	320	1670	1620	600	560	480	320	976	198	1305	1580
44	WFYV	KQDQE	50-15-72	4	2060	1760	1660	420	1670	1620	600	560	480	320	1126	198	1305	1580
45	WFYV	KQDQE	50-15-87	4	2060	1760	1660	420	1670	1620	600	560	480	320	1171	198	1305	1580
46	WFYV	KQDQE	50-15-102	4	2060	1760	1660	420	1670	1620	600	560	480	320	1216	198	1305	1580
47	WFYV	KQDQE	50-15-117	4	2060	1760	1660	420	1670	1620	600	560	480	320	1397	198	1305	1580
48	WFYV	KQDQE	50-15-133	4	2060	1760	1660	420	1670	1620	600	560	480	320	1442	198	1305	1580
49	WFYV	KQDQE	50-16-28	4	1760	1460	1360	320	1670	1620	600	560	480	320	821	198	1305	1580
50	WFYV	KQDQE	50-16-42	4	1760	1460	1360	320	1670	1620	600	560	480	320	901	198	1305	1580
51	WFYV	KQDQE	50-16-57	4	1760	1460	1360	320	1670	1620	600	560	480	320	976	198	1305	1580
52	WFYV	KQDQE	50-16-71	4	2060	1760	1660	420	1670	1620	600	560	480	320	1126	198	1305	1580
53	WFYV	KQDQE	50-16-86	4	2060	1760	1660	420	1670	1620	600	560	480	320	1171	198	1305	1580
54	WFYV	KQDQE	50-16-100	4	2060	1760	1660	420	1670	1620	600	560	480	320	1216	198	1305	1580
55	WFYV	KQDQE	50-16-115	4	2060	1760	1660	420	1670	1620	600	560	480	320	1397	198	1305	1580
56	WFYV	KQDQE	50-16-130	4	2060	1760	1660	420	1670	1620	600	560	480	320	1442	198	1305	1580
57	WFYV	KQDQE	50-20-14	4	1760	1460	1360	320	1670	1620	600	560	480	320	821	198	1305	1580
58	WFYV	KQDQE	50-20-28	4	1760	1460	1360	320	1670	1620	600	560	480	320	856	198	1305	1580
59	WFYV	KQDQE	50-20-43	4	1760	1460	1360	320	1670	1620	600	560	480	320	931	198	1305	1580
60	WFYV	KQDQE	50-20-58	4	2060	1760	1660	420	1670	1620	600	560	480	320	1081	198	1305	1580
61	WFYV	KQDQE	50-20-74	4	2060	1760	1660	420	1670	1620	600	560	480	320	1126	198	1305	1580
62	WFYV	KQDQE	50-20-90	4	2060	1760	1660	420	1670	1620	600	560	480	320	1307	198	1305	1580
63	WFYV	KQDQE	50-20-105	4	2060	1760	1660	420	1670	1620	600	560	480	320	1352	198	1305	1580
64	WFYV	KQDQE	50-20-120	4	2060	1760	1660	420	1670	1620	600	560	480	320	1397	198	1305	1580
65	WFYV	KQDQE	50-20-135	4	2060	1760	1660	420	1670	1620	600	560	480	320	1442	198	1305	1580
66	WFYV	KQDQE	65-32-14	4	2060	1760	1660	420	1670	1810	600	560	545	320	822	213	1305	1580
67	WFYV	KQDQE	65-32-29	4	2060	1760	1660	420	1670	1810	600	560	545	320	931	213	1305	1580
68	WFYV	KQDQE	65-32-44	4	2060	1760	1660	420	1670	1810	600	560	545	320	1140	213	1305	1580
69	WFYV	KQDQE	65-32-59	4	2060	1760	1660	420	1670	1810	600	560	545	320	1319	213	1305	1580
70	WFYV	KQDQE	65-32-74	4	2060	1760	1660	420	1670	1810	600	560	545	320	1463	213	1305	1580
71	WFYV	KQDQE	65-32-90	4	2060	1760	1660	420	1670	1810	600	560	545	320	1517	213	1305	1580
72	WFYV	KQDQE	65-32-106	4	2060	1760	1660	420	1670	1810	600	560	545	320	1571	213	1305	1580
73	WFYV	KQDQE	80-45X2/2	4	2060	1760	1660	420	2050	2075	600	560	615	380	1156	248	1305	1880
74	WFYV	KQDQE	80-45X2	4	2060	1760	1660	420	2050	2075	600	560	615	380	1156	248	1305	1880
75	WFYV	KQDQE	80-45X3/2	4	2060	1760	1660	420	2050	2075	600	560	615	380	1441	248	1305	1880
76	WFYV	KQDQE	80-45X3	4	2060	1760	1660	420	2050	2075	600	560	615	380	1441	248	1305	1880
77	WFYV	KQDQE	80-45X4/2	4	2060	1760	1660	420	2050	2075	600	560	615	380	1521	248	1305	1880
78	WFYV	KQDQE	80-45X4	4	2060	1760	1660	420	2050	2075	600	560	615	380	1521	248	1305	1880
79	WFYV	KQDQE	80-45X5/2	4	2060	1760	1660	420	2050	2075	600	560	615	380	1601	248	1305	1880

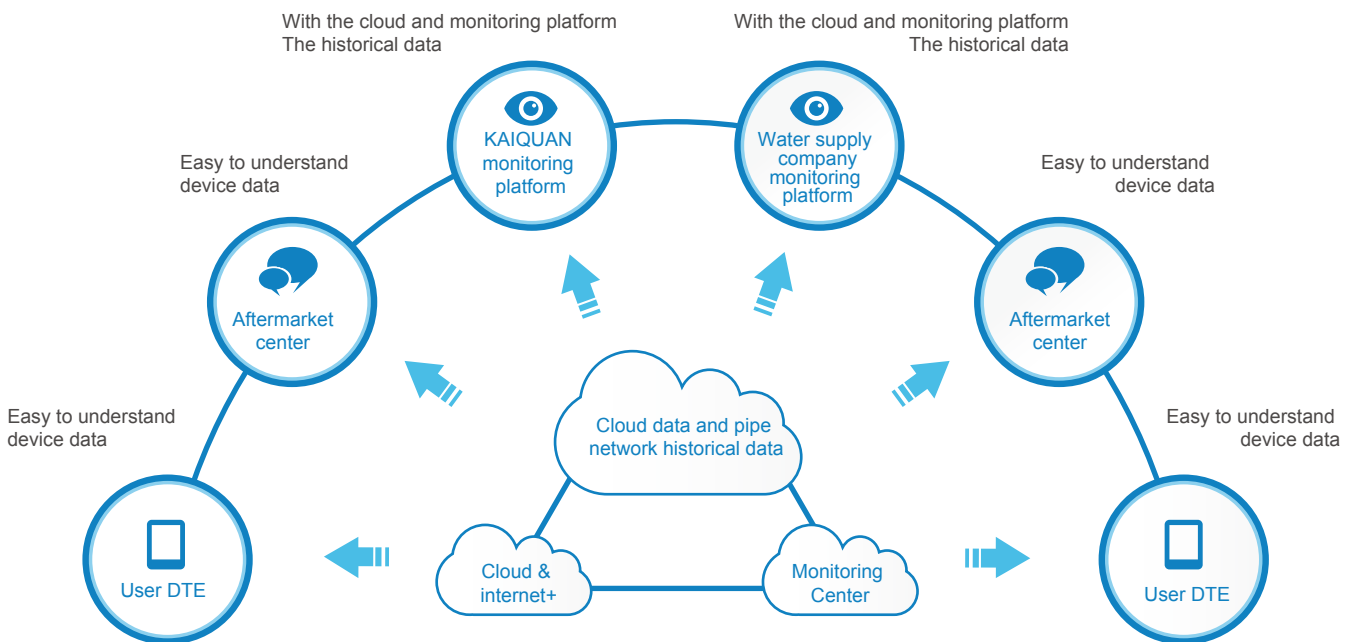


# Cloud + Water Supply

## Cloud + water supply Cloud & internet+ Fusion

The fusion of kaiquan's cloud service and Internet + can make users more convenient. Through the control center of kaiquan, users' data will be fed back to the secondary monitoring platform and be compared with the cloud data model and pipe network historical data ,then being sent to the after-sales service center. The final result will be fed back to the monitoring platform.

In the later use, any failure or problem in every link can be controlled on the remote monitoring platform. The problems can be quickly fed back to headquarters, and be solved systematically. At the same time, kaiquan's equipment can also make targeted overall service solutions according to the personalized requirements of customers , helping customers solve various problems in the use of products.



## Ordering considerations

Question	Attention
1. Product specifications	Products that exceed the standard configuration can be ordered after technical review (Performance parameters, power, altitude, temperature and humidity)
2. Device configuration and function	Sample standard equipment is equipped with 1 spare, 2 spare, 3 spare and 1 spare pump. The inlet and outlet caliber of the pump is the same as that of the pump outlet. The inlet and outlet caliber of the main pipe of the pump unit is considered as less than 1.8/s of the flow rate (excluding the flow rate of the spare pump). For other aspects of equipment configuration, please refer to the relevant contents of the sample.
3. Equipment application	The standard application of products is the domestic water supply for all kinds of buildings. Other applications must clarify the corresponding process requirements and the corresponding range of supply.
4. Structure/supply mode	In order to facilitate the installation and layout of the house, all kinds and series of products can be designed and size arranged according to customer's requirements. The customization procedure is: customer's requirements (drawings, documents), fax, design, drawing, customer's confirmation and manufacture according to the drawings. The equipment can be supplied in bulk, installed on site, and the scope of supply needs to be determined separately. This form of supply does not simulate shipment from the factory. Field test is required for line test.
5. Package	If there is no special explanation, when the equipment is out of factory, the pump group and the control cabinet are packed in wooden cases.
6. Pipeline safety	The product can withstand static pressure test of 1.5 times fixed working pressure. In the application of the system pipeline and water appliances, the corresponding working pressure should also be with standed without damage. When the pump head is high, in order to prevent overpressure burst, an automatic pressure relief valve should be installed in the pump room and a diversion pipe should be installed to the catchment well. Special attention should be paid to the pipeline of non-negative pressure water supply equipment. The maximum pressure that may occur is equal to 1.3-1.4 times of the rated lift of the pump plus 0.4Mpa (inlet pressure).
7. Sample difference problem	In the process of continuous improvement, some details of the installation size and equipment provided by the sample may be different from the actual product. If you need accurate installation size or other improvement information or have questions about the sample, please contact the Technical Section of Kaiquan Pump Industry Fourth Branch.

## The online service center



## Operation maintenance support system

- Professional service team
- Timely handling of various mechanical or electrical faults, 20 years of service experience
- Provide emergency spare parts
- Nearly warehousing and quick response
- Regular inspections and return visits
- Holidays still provide protection
- Reduce labor and maintenance costs

## Manufacturing capacity

10000m<sup>2</sup> heavy workshop

1200 advanced production and inspection equipments

KAIQUAN now equipped with 1200 sets advanced production and inspection equipments

Including 56 imported equipments, 24 large-scale processing equipments, and more than 300 CNC machining equipments

Heavy workshop, construction area over 10000m<sup>2</sup>, investment amount reached 150 million (CNY)

These advanced equipments have comprehensively improved KAIQUAN's manufacturing and manufacturing capabilities and reached international standards





## Major client







Address: No. 4255/4287 Caoan Road, Shanghai

Group Call Center: 400-002-6600

[www.kaiquan.com.cn](http://www.kaiquan.com.cn)

There is Kaiquan, there is water.

